



PHILIPS

GERÄTEHANDBUCH BAND III

BEBILDERTE ERSATZTEILLISTE

**HF -
VERSTÄRKEREINHEIT
AM-4600
VOM
VHF - SYSTEM
VRC-4622**

1. ALLGEMEINES

2. ERSATZTEILLISTE

3. ABBILDUNGEN

4. ÜBERSETZUNGSLISTE
ENGLISCH/DEUTSCH

RF AMPLIFIER UNIT
AM-4600

9551 690 52300

REPAIR PARTS LIST

NOVEMBER 1986

MANUAL No.

HGTS-2119e



© HOLLANDSE SIGNAALAPPARATEN B.V., 1986
- THIS INFORMATION CARRIER CONTAINS
PROPRIETARY INFORMATION WHICH MAY NOT
BE USED FOR OTHER PURPOSES THAN THOSE
FOR WHICH IT HAS BEEN RELEASED, NOR
BE REPRODUCED OR DISCLOSED TO THIRD
PARTIES, WITHOUT THE PRIOR WRITTEN
CONSENT OF HOLLANDSE SIGNAALAPPARATEN
B.V., THE NETHERLANDS.

Repair parts List AM-4600

PREFACE

1) General

This manual is a list of items authorized for operator (first echelon) organizational (second echelon), field (third echelon) and depot (fourth and fifth echelon) maintenance.

The unit is divided in subassemblies as indicated on page 3.

From the subassemblies, the maintenance repair parts are listed in a alpha numerical order.

The fastening material of a repair part is listed directly below this repair part and the quantities of this fastening material are given for one repair part only. Fastening material for parts which are not repair parts, are listed as the maintenance repair parts mentioned above.

2) Explanation of columns

Column 1 lists the NATO stocknumber of the item

Column 2 lists the Manufacturing Code Number of the item

Column 3 lists the official name of the item and any additional description required for supply operations.

Column 4 lists the quantities of the item, used in the next higher assembly of this item.

Unless otherwise indicated, the quantities are given in pieces.

Column 5 lists the echelon which is authorized to make a request for the item.

Column 6 lists the number of the figure, which shows the location of the item.

Column 7 lists the key number of the item on the figure, mentioned in column 6.

Repair parts List AM-4600

3. Abbreviations

The abbreviations listed below may appear in the manual.

ar	as required
blk	black
br	brass
bz	bronze
cd	cadmium
cd-pltd	cadmium-plated
corr-res-s	corrosion-resistant steel
cr	chromium
fl-fil-hd	flat fillister head
fl-hd	flat head
hex	hexagon
id	inside diameter
l	length
ni	nickel
ni-pltd	nickel-plated
od	outside diameter
p-bz	phosphor bronze
ru	rubber
s	steel
spg-s	spring-steel
thk	thick
tot	total

Repair parts List AM-4600

AMPLIFIER, RADIO FREQUENCY, AM - 4600 type 9551 690 52300

This equipment consists of the following subassemblies:

FRAME ASSEMBLY	page 4
MODULE 22	page 23
MODULE 23	page 27
MODULE 24	page 33
LIST OF FIGURES	page 38

Repair parts List AM-4600

Line No.	NATO Stocknumber	Mfg. Code No.	Description	Qua	Ech	Fig No	Key No	Remarks
	1	2	3	4	5	6	7	8
1		9551 590 52300	<u>RF - AMPLIFIER</u> consisting of the following spare parts:					
2	5820-17-052-3478	3522 154 38600	FRAME ASSEMBLY	1	3	1	1	
3		3522 143 03620	CHASSIS ASSEMBLY <u>secured with:</u>	1	4	4	1	
4		2522 401 09011	NUT, HEXAGON; corr-res-s; type M4 NEN 1560	4	4			
5		2522 001 17172	SCREW, FL-FIL-HD; corr-res-s; type M4 x 12 NEN 1602	4	4			
6		2522 613 12009	WASHER, LOCK; corr-res-s, type B4,1 NEN 1197	4	4			
7	5935-17-050-2859	4322 027 74060	CONNECTOR, RECEPTACLE, ELECTRICAL	1	4	4	4	
8	5935-17-050-2861	4322 027 59850	CONTACT, ELECTRICAL	11	4	4	5	
9	5820-17-054-0504	3522 143 03940	WIRING HARNESS	1	4	4	6	
10		3522 143 03970	WIRING HARNESS	1	4	4	7	
11		3522 143 03990	WIRING HARNESS	1	4	4	8	

Repair parts List AM-4600

Line No.	NATO Stocknumber	Mfg. Code No.	Description	Qua	Ech No	Fig No	Key No	Remarks
	1	2	3	4	5	6	7	8
1		3522 114 02960	<u>FRAME ASSEMBLY (continued)</u> SCREW, CAPTIVE; cr-ni-s; type AM 4 x 12	3	4	4	3	
2	5820-17-052-3768	3522 143 02080	FILTER ASSEMBLY <u>secured with:</u>	1	4	4	2	
3		2522 001 17775	SCREW, FL-FIL-HD; corr-res-s; type 2,5 x 5 NEN 1602	4	4			
4		2522 613 12063	WASHER, LOCK; corr-res-s; type B2,7 NEN 1197	4	4			
5	6145-00-080-4383	0722 100 10001	CABLE, RADIO FREQUENCY; 50 ohm; type RG-188 A/U	230	4	5	2	Quan. in mm
6		2222 630 01272	CAPACITOR, FIXED, CERAMIC DIELECTRIC; 2700 pF 10 %, 100 V (C1 thru C14)	14	4	5		
7	5910-17-052-7784	2222 122 57108	CAPACITOR, FIXED, ELECTROLYTIC; 1 uF 50 %; 40 V; (C15)	1	4	5		
8	5959-17-033-4816	3522 020 05020	COIL, RADIO FREQUENCY; (L11, L12)	2	4	5		
9	5935-00-061-6092	3522 020 72100	CONNECTOR, RECEPTACLE, ELECTRICAL <u>secured with:</u>	1	4	5	1	
10		2522 001 17774	SCREW, FL-FIL-HD; corr-res-s; type AM 2,5 x 4 NEN 1602	2	4			

Repair parts List AM-4600

Line No.	NATO Stocknumber	Mfg. Code No.	Description	Qua	Ech	Fig No	Key No	Remarks
	1	2	3	4	5	6	7	8
1		2522 613 12063	<u>FRAME ASSEMBLY (continued)</u> WASHER, LOCK; corr-res-s; type B2,7 NEN 1197	2	4			
2	5935-00-995-1392	3522 020 71980	CONTACT, ELECTRICAL	1	4	5	3	
3	5950-00-031-4561	3522 020 62050	INDUCTOR, RADIO FREQUENCY; (L1 thru L10, L13, L14)	12	4	5		
4		3522 143 03470	PLATE ASSEMBLY	1	4	5	4	
5	5820-17-052-4079	3522 147 46420	PW BOARD 25A	1	4	5	5	
6		2522 001 17045	<u>secured with:</u> SCREW, FL-FIL-HD; corr-res-s	3	4			
7		2522 600 27151	type AM 2 x 6 NEN 1602 WASHER, FLAT; corr-res-s	3	4			
8		2522 613 12001	type A 2,2 NEN 2269 WASHER, LOCK; corr-res-s;	3	4			
9		2322 151 51001	type B 2,1 NEN 1197 RESISTOR, FIXED, FILM; 100 ohm 1 %;	2	4	5		
10		2322 151 56812	0,4 W (R2, R3) RESISTOR, FIXED, FILM; 6,81 kohm 1 %; 0,4 W (R1)	1	4	5		

Repair parts List AM-4600

Line No.	NATO Stocknumber	Mfg. Code No.	Description	Qua	Ech	Fig No	Key No	Remarks
	1	2	3	4	5	6	7	8
1	5945-12-163-9596	3522 020 83490	<u>FRAME ASSEMBLY (continued)</u> RELAY, ARMATURE; 12 V (RE1)	1	4	5		
2	5945-17-049-0614	3522 020 83500	RELAY, ARMATURE; 24 V (RE2)	1	4	5		
3	5961-00-938-1135	3522 030 01430	SEMICONDUCTOR, DEVICE, DIODE; type BAW 62; (GR1 thru GR3)	3	4	5		
4		3522 114 32400	SPACER; for Capacitor C1 thru C14	14	4	5		
5	5940-17-042-3575	4022 007 45083	TERMINAL IJG	30	4	5	6	

Repair parts List AM-4600

Line No.	NATO Stocknumber	Mfg. Code No.	Description	Qua	Ech No	Fig No	Key No	Remarks
	1	2	3	4	5	6	7	8
1			FRAME ASSEMBLY (continued)					
		3522 143 00090	FRONT	1	4	2	1	
2	5340-17-033-1512	3522 105 42040	BLOCK; cr-ni-s; to guide stacked units	2	4	2	6	
			secured with:					
3		2522 001 17171	SCREW, FL-FIL-HD; corr-res-s; type AM 4 x 10 NEN 1602	2	4	2	8	
4	5310-17-033-6249	2522 613 03009	WASHER, LOCK; p-bz ni-pltd; type B4,1 NEN 1197	2	4	2	7	
5	6145-00-542-6092	0722 100 09001	CABLE, RADIO FREQUENCY; 50 ohm; type RG 580/U	120	4	2	10	Quan. in mm
6		2222 630 01472	CAPACITOR, FIXED, CERAMIC DIELECTRIC; 4700 pF 10 %; 100 V; (C1 thru C6) mounted on PD 3	6	4	3		
7	5935-01-043-0629	2422 031 00009	CONNECTOR, ELECTRICAL	2	4	2	11	
8	5935-00-892-9035	3522 020 59270	CONNECTOR, RECEPTACLE, ELECTRICAL type UG-657 A/U	3	4	2	2	

Repair parts List AM-4600

Line No.	NATO Stocknumber	Mfg. Code No.	Description	Qta	Ech	Fig No	Key No	Remarks
	1	2	3	4	5	6	7	8
1	5935-00-827-1336	3522 020 38170	<u>FRAME ASSEMBLY (continued)</u> CONNECTOR, RECEPTACLE, ELECTRICAL 19 male contacts, type MS3112E-14-19P <u>secured with:</u>	1	4	2	4	
2		2522 001 17098	SCREW, FL-FIL-HD; corr-res-s; type AM 3 x 8 NEN 1602	4	4			
3	5310-17-015-5052	2522 613 03005	WASHER, LOCK; p-bz ni-pltd; type B3,1 NEN 1197	4	4			
4	5935-00-835-3031	3522 020 38190	CONNECTOR, RECEPTACLE, ELECTRICAL 26 male contacts, type MS3112E-16-26P <u>secured with:</u>	1	4	2	3	
5		2522 001 17098	SCREW, FL-FIL-HD; corr-res-s; type AM 3 x 8 NEN 1602	4	4			
6	5310-17-015-5052	2522 613 03005	WASHER, LOCK; p-bz ni-pltd; type B3,1 NEN 1197	4	4			
7		3522 154 12400	COVER, ELECTRICAL, CONNECTOR <u>secured with:</u>	1	2	2	5	
8		2522 001 17045	SCREW, FL-FIL-HD; corr-res-s; type AM 2 x 6 NEN 1602	1	2			
9	5310-17-033-4820	2522 613 03001	WASHER, LOCK; p-bz ni-pltd; type B2,1 NEN 1197	1	2			
10	5970-17-036-0255	3522 114 02800	INSULATOR, PLATE; for Capacitor; C1 thru C6 mounted on PD 3	6	4	3		

Repair parts List AM-4600

Line No.	NATO Stocknumber	Mfg. Code No.	Description	Qua	Ech	Fig No	Key No	Remarks
	1	2	3	4	5	6	7	8
1	5330-17-033-5210	2622 080 30992	<u>FRAME ASSEMBLY (continued)</u> O-RING; ru; 25,87 mm od; 20,63 mm id; 2,62 mm thk; for Connector, receptacle, electrical.	1	4	3	2	
2	5330-17-033-5209	2622 080 30993	O-RING; ru; 29,05 mm od; 23,81 mm id; 2,62 mm thk; for Connector, receptacle, electrical.	1	4	3	4	
3	5315-17-033-0184	3522 114 00500	PIN, SHOULDER, HEADED; cr-ni-s; to guide stacked units.	2	2	2	9	
4	5330-17-033-0204	3522 114 00100	SEAL, RUBBER STRIP; ru, nitril; blk; 249 x 79 x 4 mm thk.	1	4	3	1	
5	5940-17-043-3416	3522 114 00000	TERMINAL LUG	3	3	3	3	

Repair parts List AM-4600

Line No.	NATO Stocknumber	Mfg. Code No.	Description	Qua	Ech	Fig No	Key No	Remarks
	1	2	3	4	5	6	7	8
1	5820-17-052-3659	3522 143 02040	<u>FRAME ASSEMBLY (continued)</u> AMPLIFIER ASSEMBLY, MODULE 21	1	4	3	5	
2		2522 001 17172	<u>secured with:</u> SCREW, FL-FIL-HD; corr-res-s;	4	4			
3		2522 613 12009	type AM 4 x 12 DIN 84 WASHER, LOCK; corr-res-s;	4	4			
4	5930-17-052-9531	3522 023 04380	type B4,1 NEN 1197 CIRCUIT BREAKER	1	4	7	10	
5	5305-17-025-6676	2522 001 08097	<u>secured with:</u> SCREW, FL-FIL-HD; br ni-pltd,	4	4			
6	5310-17-015-5052	2522 613 03005	type AM 3 x 6 NEN 1602 WASHER, LOCK; p-bz ni-pltd;	4	4			
7		3522 030 54000	type B3,1 NEN 1197 CONNECTOR, RECEPTACLE, ELECTRICAL	3	4	7	2	
8	5310-17-034-0425	3522 114 24700	NUT	4	4	7	9	
9		3522 143 03730	PLATE ASSEMBLY	1	4	7	1	
10		3522 114 01360	SPACER	1	4	7	3	
11		2422 015 01033	TERMINAL, LOG	1	4	7	5	
12		2522 401 09005	<u>secured with:</u> NUT, HEXAGON; corr-res-s;	1	4	7	8	
13		2522 001 17057	type M2 NEN 1560 SCREW, FL-FIL-HD; corr-res-s;	1	4	7	6	
			type AM 2 x 20 NEN 1602					

Repair parts List AM-4600

Line No.	NATO Stocknumber	Mfg. Code No.	Description	Qua	Ech	Fig No	Key No	Remarks
	1	2	3	4	5	6	7	8
1	5310-17-017-1692	2522 623 01001	<u>FRAME ASSEMBLY (continued)</u> WASHER, LOCK;	1	4	7	7	
2		2522 600 27151	WASHER, FLAT; corr-res-s; type A2,2 NEN 1602	1	4	7	4	

Repair parts List AM-4600

Line No.	NAVO Stocknumber	Mfg. Code No.	Description	Qua	Ech	Fig No	Key No	Remarks
	1	2	3	4	5	6	7	8
1	5820-17-052-4075	3522 147 46020	<u>FRAME ASSEMBLY (continued)</u> AMPLIFIER	1	4	11	1	
2	5305-17-015-4446	2522 001 08045	<u>secured with:</u> SCREW, FL-FIL-HD; br ni-pltd; type AM 2 x 6 NEN 1602	9	4			
3	5310-17-029-2217	2522 600 10007	WASHER, FLAT; br ni-pltd; type 2,2 NEN 2270	9	4			
4	5310-17-033-4820	2522 613 03001	WASHER, LOCK; p-bz ni-pltd; type B2,1 NEN 1197	9	4			
5		3522 023 19980	CAPACITOR, FIXED, CERAMIC DIELECTRIC; 47 pF 5 %; 500 V; (C36)	1	4	11		
6		2222 630 01272	CAPACITOR, FIXED, CERAMIC DIELECTRIC; 2700 pF 10 %; 100 V; (C1, C2, C3, C5, C6, C7, C8, C11, C12, C16, C21, C28, C29, C40, C41, C43, C54, C55, C61, C64, C71)	21	4	11		
7		2222 630 03272	CAPACITOR, FIXED, CERAMIC DIELECTRIC; 2700 pF 10 %; 100 V; (C31, C51, C56)	3	4	11		
8	5910-17-052-9877	2222 631 10121	CAPACITOR, FIXED, CERAMIC DIELECTRIC; 120 pF 2 %, 100 V; (C39, C47)	2	4	11		
9	5910-17-052-9878	2222 631 10339	CAPACITOR, FIXED, CERAMIC DIELECTRIC; 33 pF 2 %; 100 V; (C9)	1	4	11		

Repair parts List AM-4600

Line No.	NATO Stocknumber	Mfg. Code No.	Description	Qua	Ech	Fig No	Key No	Remarks
	1	2	3	4	5	6	7	8
			<u>FRAME ASSEMBLY (continued)</u>					
1	5910-17-050-6957	2222 631 10829	CAPACITOR, FIXED, CERAMIC DIELECTRIC;	2	4	11		
			82 pF 2 %; 100 V; (C13, C17)					
2	5910-17-047-4947	2222 631 34151	CAPACITOR, FIXED, CERAMIC DIELECTRIC;	2	4	11		
			150 pF 2 %; 100 V; (C22, C44)					
3	5910-17-052-0233	2222 631 58331	CAPACITOR, FIXED, CERAMIC DIELECTRIC;	9	4	11		
			330 pF 2 %; 100 V; (C18, C19, C20, C23, C48, C49, C50, C52, C53)					
4	5910-17-050-2819	2222 638 10479	CAPACITOR, FIXED, CERAMIC DIELECTRIC;	2	4	11		
			47 pF 2 %; 100 V; (C25, C59)					
5	5910-17-052-9881	2222 638 34151	CAPACITOR, FIXED, CERAMIC DIELECTRIC;	1	4	11		
			150 pF 2 %; 100 V; (C15)					
6	5910-17-052-9927	2222 638 58181	CAPACITOR, FIXED, CERAMIC DIELECTRIC;	1	4	11		
			180 pF 2 %; 100 V; (C46)					
7		2222 638 58331	CAPACITOR, FIXED, CERAMIC DIELECTRIC;	3	4	11		
			330 pF 2 %; 100 V; (C26, C57, C58)					
8	5910-17-052-9626	2222 650 10229	CAPACITOR, FIXED, CERAMIC DIELECTRIC;	1	4	11		
			22 pF 2 %; 500 V; (C38)					
9	5910-17-052-9628	2222 650 10339	CAPACITOR, FIXED, CERAMIC DIELECTRIC;	3	4	11		
			33 pF 2 %; 500 V; (C14, C37, C70)					
10	5910-17-052-9630	2222 650 10399	CAPACITOR, FIXED, CERAMIC DIELECTRIC;	1	4	11		
			39 pF 2 %; 500 V; (C24)					

Repair parts List AM-4600

Line No.	NATO Stocknumber	Mfg. Code No.	Description	Qua	Ech No	Fig No	Key No	Remarks
	1	2	3	4	5	6	7	8
1	5910-17-052-9629	2222 650 10479	<u>FRAME ASSEMBLY (continued)</u> CAPACITOR, FIXED, CERAMIC DIELECTRIC; 47 pF 2 %; 500 V; (C45)	1	4	11		
2	5910-17-052-9631	2222 650 58689	CAPACITOR, FIXED, CERAMIC DIELECTRIC; 68 pF 2 %; 500 V (C62, C63, C66, C68, C69)	5	4	11		
3	5910-17-052-7784	2222 122 57108	CAPACITOR, FIXED, ELECTROLYTIC; 1 uF 50 %; 40 V (C10, C30, C42)	3	4	11		
4	5910-01-152-4942	3522 020 58730	CAPACITOR, FIXED, MICA DIELECTRIC; 100 pF 2 %; (C35)	1	4	11		
5	5910-17-034-2865	3522 020 58790	CAPACITOR, FIXED, MICA DIELECTRIC; 270 pF 2 %; (C33)	1	4	11		
6	5910-17-034-2866	3522 020 58800	CAPACITOR, FIXED, MICA DIELECTRIC; 300 pF 2 %; (C67)	1	4	11		
7	5910-17-034-2868	3522 020 58850	CAPACITOR, FIXED, MICA DIELECTRIC; 510 pF 2 %; (C65)	1	4	11		
8	5910-17-052-9092	3522 059 89380	CAPACITOR, FIXED, MICA DIELECTRIC; 681 pF 0,5 %; 125 V; (C27)	1	4	11		

Repair parts List AM-4600

Line No.	NATO Stocknumber	Mfg. Code No.	Description	Qua	Ech	Fig No	Key No	Remarks
	1	2	3	4	5	6	7	8
			FRAME ASSEMBLY (continued)					
1	5910-17-052-9094	3522 059 89540	CAPACITOR, FIXED, MICA DIELECTRIC; 1000 pF 0,5 %; 125 V; (C60)	1	4	11		
2	5950-17-034-1520	4322 020 34410	CHOKE, RADIO FREQUENCY; (L3, L17)	2	4	11		
3	5950-17-034-0745	4312 020 36630	CHOKE, RADIO FREQUENCY; (L9)	1	4	11		
4	5950-12-154-8514	4312 020 36640	CHOKE, RADIO FREQUENCY, (L21)	1	4	11		
5	5950-17-052-9107	3522 149 39511	CHOKE, RADIO FREQUENCY; (T1, T2)	2	4	11		
6	5950-00-031-4557	3522 020 62090	COIL, RADIO FREQUENCY; (L1)	1	4	11		
7	5950-00-854-1758	3522 020 05050	COIL, RADIO FREQUENCY; (L4, L15)	2	4	11		
8	5950-00-764-3188	3522 020 09890	COIL, RADIO FREQUENCY; (L5)	1	4	11		
9		3522 105 23400	COIL, RADIO FREQUENCY; (L6)	1	4	11		
10		3522 105 41820	COIL, RADIO FREQUENCY; (L7)	1	4	11		
11	5950-00-854-1752	3522 020 05000	COIL, RADIO FREQUENCY; (L8, L20)	2	4	11		
12		3522 105 43320	COIL, RADIO FREQUENCY; (L10, L11, L22)	3	4	11		
13		3522 105 23590	COIL, RADIO FREQUENCY; (L12)	1	4	11		
14		3522 105 23380	COIL, RADIO FREQUENCY; (L13)	1	4	11		
15		3522 105 23410	COIL, RADIO FREQUENCY; (L14)	1	4	11		
16	5950-00-764-9764	3522 020 09900	COIL, RADIO FREQUENCY; (L16)	1	4	11		
17	5950-17-052-7986	3522 023 03460	COIL, RADIO FREQUENCY; (L18)	1	4	11		

Repair parts List AM-4600

Line No.	NATO Stocknumber	Mfg. Code No.	Description	Qua	Ech	Fig No	Key No	Remarks
	1	2	3	4	5	6	7	8
1		3522 105 47350	<u>FRAME ASSEMBLY (continued)</u> COIL, RADIO FREQUENCY; (L19)	1	4	11		
2		3522 105 43310	COIL, RADIO FREQUENCY; (L23)	1	4	11		
3		3522 105 23370	COIL, RADIO FREQUENCY; (L24)	1	4	11		
4		3522 105 23390	COIL, RADIO FREQUENCY; (L25)	1	4	11		
5		3522 105 23420	COIL, RADIO FREQUENCY; (L26)	1	4	11		
6		3522 105 41830	CONTACT, ELECTRICAL; for TS1 thru TS4	10	4	11	6	
7	5970-17-036-0255	3522 114 02800	INSULATOR, PLATE for Capacitor C1, C2, C3, C5, C7, C8, C9, C11, C12, C13, C16, C17, C18, C19, C20, C21 C28, C29, C39, C40, C41, C43, C44, C47, C48, C49, C50, C52, C53, C54, C55, C61, C64, C71	35	4	11	3	
8	5999-17-050-2871	3522 114 11100	INSULATOR, PLATE for Capacitor C15, C25, C26, C31, C37, C38, C46, C51, C56, C57, C58, C59, C69, C70	14	4	11	2	
9		2322 151 51001	RESISTOR, FIXED, FILM; 100 ohm 1 %; (R21)	1	4	11		
10		2322 151 51002	RESISTOR, FIXED, FILM; 1 kohm 1 %; (R1, R34)	2	4	11		
11		2322 151 52152	RESISTOR, FIXED, FILM; 2,15 kohm 1 %; (R3, R5)	2	4	11		

Repair parts List AM-4600

Line No.	NATO Stocknumber	Mfg. Code No.	Description	Qua	Ech	Fig No	Key No	Remarks
	1	2	3	4	5	6	7	8
			<u>FRAME ASSEMBLY (continued)</u>					
1		2322 151 53162	RESISTOR, FIXED, FILM; 3,16 kohm 10 %; (R4, R8, R22)	3	4	11		
2		2322 151 53831	RESISTOR, FIXED, FILM; 383 ohm, 1 %; (R33)	1	4	11		
3		2322 151 55621	RESISTOR, FIXED, FILM; 562 ohm, 1 %; (R7)	1	4	11		
4		2322 151 56811	RESISTOR, FIXED, FILM; 681 ohm, 1 %; (R19, R20, R32)	3	4	11		
5		2322 151 55628	RESISTOR, FIXED, FILM; 5,62 ohm, 1 %; (R25)	1	4	11		
6		2322 152 51009	RESISTOR, FIXED, FILM; 10 ohm 1 %; (R10, R24)	2	4	11		
7		2322 152 51479	RESISTOR, FIXED, FILM; 14,7 ohm, 1 %; (R15, R16, R28, R29)	4	4	11		
8		2322 152 52159	RESISTOR, FIXED, FILM; 21,5 ohm, 1 %; (R12, R18, R26, R31)	4	4	11		
9	5905-17-052-9889	2322 191 34701	RESISTOR, FIXED, FILM; 470 ohm, 5 %; (R13, R27, R30)	3	4	11		
10	5905-17-052-7930	2322 191 36801	RESISTOR, FIXED, FILM; 680 ohm, 5 %; (R17)	1	4	11		
11	5905-17-052-7928	2322 192 34701	RESISTOR, FIXED; FILM; 470 ohm, 5 %; (R9, R23)	2	4	11		

Repair parts List AM-4600

Line No.	NAJO Stocknumber	Mfg. Code No.	Description	Qua	Ech	Fig No	Key No	Remarks
	1	2	3	4	5	6	7	8
			FRAME ASSEMBLY (continued)					
1	5905-17-052-7927	2322 192 34709	RESISTOR, FIXED, FILM; 470 ohm, 5 % (R2, R6)	2	4	11		
2	5905-17-052-7934	2322 211 13228	RESISTOR, FIXED, FILM; 2,2 ohm, 5 %; (R11)	1	4	11		
3		2522 023 04830	RESISTOR, FIXED, WIRE WOUND; 0,1 ohm, 2 %; (R14)	1	4	11		
4	5961-01-141-6824	3522 023 02060	SEMICONDUCTOR DEVICE, DIODE; type UM 9325 (GR1, GR2, GR3, GR4, GR7, GR9, GR11, GR13)	8	4	11		
5	5961-00-938-1135	3522 030 01430	SEMICONDUCTOR DEVICE, DIODE;	4	4	11		
6	5961-17-621-9442	9330 087 10112	type BAW 62 (GR8, GR10, GR12, GR14) SEMICONDUCTOR DEVICE, DIODE; BYX 10 (GR5)	1	4	11		
7	5961-17-038-2229	9331 177 50113	SEMICONDUCTOR DEVICE, DIODE;	1	4	11		
			type BZX 79/C6V8 (GR6)					
8	5970-17-034-2555	3522 114 02500	SPACER for TS1, TS2, TS3, TS4	10	4	11	5	
9	5940-17-042-3575	4022 007 45083	TERMINAL LUG	11	4	11	4	
10	5961-17-038-1650	9331 638 00112	TRANSISTOR; type 2N3632/10 (TS1)	1	4	11		

Repair parts List AM-4600

Line No.	NATO Stocknumber	Mfg. Code No.	Description	Qua	Ech No	Fig No	Key No	Remarks
	1	2	3	4	5	6	7	8
			<u>FRAME ASSEMBLY (continued)</u>					
1	5961-17-038-1651	9331 638 10112	TRANSISTOR; type 2N3632/11 (TS3)	1	4	11		
2	5961-17-039-0196	9331 887 30112	TRANSISTOR; type ON 408/10 (TS4)	1	4	11		
3	5961-17-041-1213	9332 006 30112	TRANSISTOR; type ON 408 (TS2)	1	4	11		

Repair parts List AM-4600

Line No.	NATO Stocknumber	Mfg. Code No.	Description	Qua	Ech	Fig No	Key No	Remarks
	1	2	3	4	5	6	7	8
1	5820-17-052-4078	3522 147 46520	<u>FRAME ASSEMBLY (continued)</u> PLUG BOARD ASSEMBLY	1	4	6	1	
2		2522 001 17045	<u>secured with:</u> SCREW, FL-FIL-HD; corr-res-s; type AM 2 x 6 NEN 1602	9	4			
3	6145-00-080-4383	0722 100 10001	CABLE, RADIO FREQUENCY	120	4	6	2	Quan. in cm
4		2222 630 01272	CAPACITOR, FIXED, CERAMIC DIELECTRIC; 2700 pF 10 %; 100 V (C1)	1	4	6		
5	5950-00-031-4561	3522 020 62050	COIL, RADIO FREQUENCY; (L1)	1	4	6		
6	5935-17-033-8413	3522 020 00190	CONNECTOR, PLUG, ELECTRICAL	3	4	6	6	
7	5961-00-938-1135	3522 030 01430	SEMICONDUCTOR DEVICE, DIODE; type BAW 62 (GR1)	1	4	6		
8		1922 000 11161	SLEEVE, MARKING, BROWN	1	4	6	5	
9		1922 000 11162	SLEEVE, MARKING, RED	1	4	6	11	
10		1922 000 11163	SLEEVE, MARKING, ORANGE	1	4	6	10	
11	5935-17-054-0319	3522 154 13300	TERMINAL BLOCK; 2 x 6 poles	1	4	6	7	
12	5935-17-052-7790	4322 027 76720	TERMINAL BLOCK; 2 x 4 poles	5	4	6	4	
13	5935-17-052-7789	4322 027 76730	TERMINAL BLOCK; 2 x 6 poles	1	4	6	9	

Repair parts List AM-4600

Line No.	NATO Stocknumber	Mfg. Code No.	Description	Qua	Ech	Fig No	Key No	Remarks
	1	2	3	4	5	6	7	8
1	5935-17-052-7792	4322 027 77930	<u>FRAME ASSEMBLY (continued)</u>	2	4	6	8	
2	5940-17-042-3575	4022 007 45083	TERMINAL BLOCK; 2 x 6 poles TERMINAL LUG	10	4	6	3	

Repair parts List AM-4600

Line No.	NATO Stocknumber	Mfg. Code No.	Description	Qua	Ech	Fig No	Key No	Remarks
	1	2	3	4	5	6	7	8
1	5820-17-052-3544	3522 143 02050	MODULE 22	1	3	1	2	
			<u>consisting of the following spare parts:</u>					
2		3522 114 06200	BRACKET; cd-pltd	1	4	8	2	
3		3522 114 06800	BRACKET; cd-pltd	1	4	8	3	
4	5340-17-054-0100	3522 114 06600	COVER; for MODULE	1	4	8	1	
			<u>secured with:</u>					
5		2522 001 17097	SCREW, FL-FIL-HD; corr-res-s;	2	4			
			type AM 3 x 6 NEN 1602					
6		2522 613 12005	WASHER, LOCK; corr-res-s;	2	4			
			type B3,1 NEN 1197					
7	5820-17-052-4153	3522 147 46120	LOW PASS FILTER	1	4	12	1	
			<u>secured with:</u>					
8	5305-17-033-8433	2522 001 08045	SCREW, FL-FIL-HD; br ni-pltd;	4	4			
			type AM 2 x 6 NEN 1602					
9	5310-17-036-0809	2522 600 10151	WASHER, FLAT; br ni-pltd;	4	4			
			type A2,2 NEN 2269					
10	5310-17-033-4820	2522 613 03001	WASHER, LOCK; p-bz ni-pltd;	4	4			
			type B2,1 NEN 1197					

Repair parts List AM-4600

Line No.	NATO Stocknumber	Mfg. Code No.	Description	Qua			Fig			Key No	Remarks
				4	5	6	7	8	9		
	1	2	3	4	5	6	7	8			
			MODULE 22 (continued)								
1	5910-17-052-9928	2222 809 05003	CAPACITOR, VARIABLE, PLASTIC DIELECTRIC; 18 pF; (C1, C14, C16, (C31)	4	4	12					
2	5910-17-052-9638	2222 650 09158	CAPACITOR, FIXED, CERAMIC DIELECTRIC; 1,5 pF; 500 V; (C3)	1	4	12					
3	5910-17-052-9622	2222 650 09478	CAPACITOR, FIXED, CERAMIC DIELECTRIC; 4,7 pF; 500 V; (C4)	1	4	12					
4	5910-17-052-9630	2222 650 10399	CAPACITOR, FIXED, CERAMIC DIELECTRIC; 39 pF 2 %; 500 V; (C6, C20, C21, C24, C27)	5	4	12					
5	5910-17-052-9627	2222 650 10279	CAPACITOR, FIXED, CERAMIC DIELECTRIC; 27 pF 2 %; 500 V; (C7, C17, C25)	3	4	12					
6	5910-17-052-9640	2222 650 09338	CAPACITOR, FIXED, CERAMIC DIELECTRIC; 3,3 pF; 500 V; (C8)	1	4	12					
7	5910-17-052-9628	2222 650 10339	CAPACITOR, FIXED, CERAMIC DIELECTRIC; 33 pF 2 %; 500 V; (C10, C28)	2	4	12					
8	5910-17-052-9626	2222 650 10229	CAPACITOR, FIXED, CERAMIC DIELECTRIC; 22 pF 2 %; 500 V; (C11)	1	4	12					
9	5910-17-052-9639	2222 650 09228	CAPACITOR, FIXED, CERAMIC DIELECTRIC; 2,2 pF; 500 V; (C12)	1	4	12					
10	5910-17-052-9637	2222 650 09128	CAPACITOR, FIXED, CERAMIC DIELECTRIC; 1,2 pF; 500 V; (C18)	1	4	12					

Repair parts List AM-4600

Line No.	NATO Stocknumber	Mfg. Code No.	Description	Qua	Ech No	Fig No	Key No	Remarks
	1	2	3	4	5	6	7	8
1	5910-17-052-9624	2222 650 09828	MODULE 22 (continued) CAPACITOR, FIXED, CERAMIC DIELECTRIC 8,2 pF; 500 V; (C19, C23)	2	4	12		
2	5910-17-052-9641	2222 650 09398	CAPACITOR, FIXED, CERAMIC DIELECTRIC 3,9 pF; 500 V; (C22)	1	4	12		
3	5910-17-052-9623	2222 650 09568	CAPACITOR, FIXED, CERAMIC DIELECTRIC 5,6 pF; 500 V; (C29)	1	4	12		
4	5910-17-052-9625	2222 650 10129	CAPACITOR, FIXED, CERAMIC DIELECTRIC 12 pF; 2 μ ; 500 V; (C30)	1	4	12		
5		2222 630 01272	CAPACITOR, FIXED, CERAMIC DIELECTRIC 2700 pF 10 μ ; 100 V (C32)	1	4	12		
6		2222 630 03272	CAPACITOR, FIXED, CERAMIC DIELECTRIC 2700 pF 10 μ ; 100 V (C33)	1	4	12		
7		3522 105 41740	COIL, RADIO FREQUENCY (L1, L6)	2	4	12		
8		3522 105 41750	COIL, RADIO FREQUENCY (L2, L3)	2	4	12		
9		3522 105 41730	COIL, RADIO FREQUENCY (L4)	1	4	12		
10		3522 105 41760	COIL, RADIO FREQUENCY (L5)	1	4	12		
11	5935-17-052-8232	2422 062 10412	CONNECTOR, RECEPTACLE, ELECTRICAL	2	4	12	4	
12	5970-17-036-0255	3522 114 02800	INSULATOR, PLATE; for Capacitor C32	1	4	12	3	

Repair parts List AM-4600

Line No.	NATO Stocknumber	Mfg. Code No.	Description	Qua	Ech	Fig No	Key No	Remarks
	1	2	3	4	5	6	7	8
1	5999-17-050-2871	3522 114 11100	MODULE 22 (continued) INSULATOR, PLATE; for Capacitor C3, C4, C6, C7, C8, C10, C11, C12, C17, C18, C19, C20, C21, C22, C23, C24, C25, C27, C28, C29, C30, C33	22	4	12	2	
2	5945-12-163-9596	3522 020 83490	RELAY, ARMATURE (RE1)	1	4	12		
3	5315-17-052-4490	3522 114 04300	PIN, PILOT; cr-ni-s; M2; tot 1 12,5 mm	1	4	8	6	
4	5315-17-052-4489	3522 114 04500	PIN, PILOT; cr-ni-s; M2; tot 1 12,5 mm	2	4	8	4	
5		3522 105 43250	PLATE, GLASS FIBER <u>secured with:</u>	1	4	8	7	
6	5305-17-033-8433	2522 001 08045	SCREW, FL-FIL-HD; br ni-pltd; type AM 2 x 6 NEN 1602	4	4			
7	5310-17-036-0809	2522 600 10151	WASHER, FLAT; br ni-pltd; type A 2,2 NEN 2269	4	4			
8	5310-17-033-4820	2522 613 03001	WASHER, LOCK; p-bz ni-pltd; type B2,1 NEN 1197	4	4			
9	5340-17-052-4518	3522 114 06300	SPACER; cr-ni-s	1	4	8	5	

Repair parts List AM-4600

Line No.	NAVO Stocknumber	Mfg. Code No.	Description	Qua	Ech	Fig No	Key No	Remarks
	1	2	3	4	5	6	7	8
1	5820-17-052-3750	3522 143 02060	<u>MODULE 23</u> consisting of the following spare parts:	1	3	1	3	
2		3522 114 06200	BRACKET; cd-pltd	1	4	9	2	
3		3522 114 06800	BRACKET; cd-pltd	1	4	9	3	
4	5340-17-054-0100	3522 114 06600	COVER; for MODULE	1	4	9	1	
5		2522 001 17097	<u>secured with:</u> SCREW; FL-FIL-HD; corr-res-s; type AM 3 x 6 NEN 1062	2	4			
6		2522 613 12005	WASHER, LOCK; corr-res-s; type B3,1 NEN 1197	2	4			
7		3522 105 32250	PLATE; al-alloy	1	4	9	7	
8	5305-17-033-8433	2522 001 08045	<u>secured with:</u> SCREW; FL-FIL-HD; br ni-pltd; type AM 2 x 6 NEN 1602	4	4			
9	5310-17-036-0809	2522 600 10151	WASHER, FLAT; br ni-pltd; type A2,2 NEN 2269	4	4			
10	5310-17-033-4820	2522 613 03001	WASHER, LOCK; p-bz ni-pltd; type B2,1 NEN 1197	4	4			
11	5315-17-052-4490	3522 114 04300	PIN, PILOT; cr-ni-s; M2; tot 1 12,5 mm	1	4	9	6	

Repair parts List AM-4600

Line No.	NATO Stocknumber	Mfg. Code No.	Description	Qua	Ech	Fig No	Key No	Remarks
	1	2	3	4	5	6	7	8
			<u>MODULE 23 (continued)</u>					
1	5315-17-052-4489	3522 114 04500	PIN, PILOT; cr-ni-s; M2; tot l 12,5 mm	2	4	9	4	
2	5820-17-052-4077	3522 147 46220	RELAY AND STANDING WAVE RATIO UNIT 23B	1	4	13	1	
			<u>secured with:</u>					
3	5305-17-033-8433	2522 001 08045	SCREW, FL-FIL-HD; br ni-pltd; type AM 2 x 6 NEN 1602	4	4			
4	5310-17-036-0809	2522 600 10151	WASHER, FLAT; br ni-pltd;	4	4			
5	5310-17-033-4820	2522 613 03001	type A 2,2 NEN 2269 WASHER, LOCK; p-bz ni-pltd;	4	4			
6		2222 630 01272	type B 2,1 NEN 1197 CAPACITOR, FIXED, CERAMIC DIELECTRIC	6	4	13		
			2700 pF 10 %; 100 V; (C1, C2, C14, C15, C17, C19)					
7	5910-17-052-9622	2222 650 09478	CAPACITOR, FIXED, CERAMIC DIELECTRIC	1	4	13		
			4,7 pF; 500 V; (C3)					
8		2222 122 55159	CAPACITOR, FIXED, ELECTROLYTIC; 15 uF 50 %; 16 V; (C4)	1	4	13		

Repair parts List AM-4600

Line No.	NATO Stocknumber	Mfg. Code No.	Description	Qua	Ech	Fig No	Key No	Remarks
	1	2	3	4	5	6	7	8
1	5910-17-039-0126	2222 809 05001	<u>MODULE 23 (continued)</u> CAPACITOR, VARIABLE, PLASTIC DIELECTRIC; 3 pF; (C7)	1	4	13		
2	5910-17-052-9879	2222 631 10479	CAPACITOR, FIXED, CERAMIC DIELECTRIC 47 pF 2 %, 100 V; (C8)	1	4	13		
3		2222 630 01472	CAPACITOR, FIXED, CERAMIC DIELECTRIC 4700 pF 10 %, 100 V, (C10)	1	4	13		
4		2222 630 03272	CAPACITOR, FIXED, CERAMIC DIELECTRIC 2700 pF 10 %, 100 V; (C11, C12, C13)	3	4	13		
5	5910-17-052-7784	2222 122 57108	CAPACITOR, FIXED, CERAMIC DIELECTRIC 1 pF 50 %, 40 V; (C16, C18)	2	4	13		
6	5950-00-707-1243	3522 020 09970	COIL, RADIO FREQUENCY (L2)	1	4	13		
7	5950-17-052-9673	3522 143 04340	COIL, ASSEMBLY RADIO FREQUENCY (L1)	1	4	13		
8		3522 105 22960	COVER <u>secured with:</u>	1	4	13	3	
9		2522 001 08043	SCREW, FL-FIL-HD; br ni-pltd; type AM 2 x 4 NEN 1602	3	4			
10	5310-17-036-0809	2522 600 10151	WASHER, FLAT; br ni-pltd; type A 2,2 NEN 2269	3	4			
11		2522 613 03001	WASHER, LOCK; p-bz ni-pltd; type B 2,1 NEN 1197	3	4			

Repair parts List AM-4600

Line No.	NATO Stocknumber	Mfg. Code No.	Description	Qua	Ech No	Fig No	Key No	Remarks
	1	2	3	4	5	6	7	8
			MODULE 23 (continued)					
1	5970-17-036-0255	3522 114 02800	INSULATOR, PLATE; for Capacitor C1, C2, C8, C10, C14, C15, C17, C19	8	4	13	2	
2	5999-17-050-2871	3522 114 11100	INSULATOR, PLATE; for Capacitor C3, C11, C12, C13	4	4	13	4	
3	5962-17-042-3564	3522 020 82590	INTEGRATED CIRCUIT (IC1)	1	4	13		
4	5945-12-163-9596	3522 020 83490	RELAY, ARMATURE (RE1, RE2, RE3)	3	4	13		
5	5905-17-052-7928	2322 192 34701	RESISTOR, FIXED, FILM; 470 ohm 5 %; (R1)	1	4	13		
6		2322 152 58251	RESISTOR, FIXED, FILM; 825 ohm 1 %; (R2)	1	4	13		
7		2322 151 58252	RESISTOR, FIXED, FILM; 8,25 kohm 1 %; (R3)	1	4	13		
8		2322 151 53839	RESISTOR, FIXED, FILM; 38,3 ohm 1 %; (R4)	1	4	13		
9		2322 151 51549	RESISTOR, FIXED, FILM; 15,4 ohm 1 %; (R5)	1	4	13		

Repair parts List AM-4600

Line No.	NAVO Stocknumber	Mfg. Code No.	Description	Qua			Fig No	Key No	Remarks
				4	5	6			
	1	2	3	4	5	6	7	8	
1			MODULE 23 (continued)						
		2322 151 52619	RESISTOR, FIXED, FILM; 26,1 ohm 1 %; (R6)	1	4	13			
2		2322 151 54642	RESISTOR, FIXED, FILM; 4,64 kohm 1 %; (R7, R8)	2	4	13			
3		2322 151 51003	RESISTOR, FIXED, FILM; 10 kohm 1 %; (R9)	1	4	13			
4	5905-17-052-9089	2122 350 00053	RESISTOR, VARIABLE; 2 kohm 10 %; 0,75 W; (R10)	1	4	13			
5		2322 151 52152	RESISTOR, FIXED, FILM; 2,15 kohm 1 %; (R11, R13, R17)	3	4	13			
6		2322 151 51004	RESISTOR, FIXED, FILM; 100 kohm 1 %; (R12)	1	4	13			
7		2322 151 53162	RESISTOR, FIXED, FILM; 3.16 kohm 1 %; (R14)	1	4	13			
8			681 ohm - 2,37 kohm						
9	5905-17-052-9618	3522 030 09950	RESISTOR, FIXED, WIRE WOUND; 0,33 ohm 2 %; 0,85 W; (R16)	1	4	13			

Repair parts List AM-4600

Line No.	NATO Stocknumber	Mfg. Code No.	Description	Qua	Ech No	Fig No	Key No	Remarks
	1	2	3	4	5	6	7	8
			MODULE 23 (continued)					
1	5961-00-938-1135	3522 030 01430	SEMICONDUCTOR, DEVICE, DIODE; type BAW 62 (GR1, GR2, GR3, GR4, GR9, GR11, GR12)	7	4	13		
2	5961-17-039-0128	3522 059 64760	SEMICONDUCTOR, DEVICE, DIODE;	2	4	13		
3	5961-17-041-0847	9331 177 30113	type HP 5082-2811 (GR5, GR7) SEMICONDUCTOR DEVICE, DIODE;	1	4	13		
4	5961-17-038-2229	9331 177 50113	type BZX 79/C5V6 (GR6) SEMICONDUCTOR DEVICE, DIODE;	2	4	13		
5	5935-17-052-8023	2422 062 10612	type BZX 79/C6V8 (GR8, GR10) TERMINAL BLOCK; 2 x 6 poles	1	4	13	8	
6	5935-17-052-8024	2422 062 10512	TERMINAL BLOCK; 2 x 5 poles	2	4	13	6	
7	5935-17-052-8232	2422 062 10412	TERMINAL BLOCK; 2 x 4 poles	1	4	13	7	
8	5940-17-042-3575	4022 007 45083	TERMINAL LUG	2	4	13	5	
9	5340-17-052-4518	3522 114 06300	SPACER; cr-ni-s	1	4	9	5	

Repair parts List AM-4600

Line No.	NATO Stocknumber	Mfg. Code No.	Description	Qua	Ech	Fig No	Key No	Remarks
	1	2	3	4	5	6	7	8
1	5820-17-052-4074	3522 143 02070	<u>MODULE 24</u> consisting of the following spare parts:	1	3	1	4	
2		3522 105 30990	BLOCK; br ni-pltd	2	4	10	3	
3	5820-17-054-0320	3522 142 95720	BOTTOM ASSEMBLY	1	4	10	1	
4		3522 147 46320	CONTROL UNIT	1	4	14	1	
5	5305-17-033-8433	2522 001 08045	<u>secured with:</u> SCREW, FL-FIL-HD, br ni-pltd; type AM 2 x 6 NEN 1602	4	4			
6	5310-17-036-0809	2522 600 10151	WASHER, FLAT, br ni-pltd;	4	4			
7	5310-17-033-4820	2522 613 03001	type A 2,2 NEN 2269 WASHER, LOCK; p-bz ni-pltd, type B 2,1 NEN 1197	4	4			
8		2222 630 01272	CAPACITOR, FIXED, CERAMIC DIELECTRIC	1	4	14		
9	5910-17-052-9880	2222 631 10689	2700 pF 10 %; 100 V; (C1) CAPACITOR, FIXED, CERAMIC DIELECTRIC	1	4	14		
10		3522 023 08540	68 pF 2 %; 100 V, (C3) CAPACITOR, FIXED, CERAMIC DIELECTRIC	1	4	14		
11	5910-00-217-1717	3522 023 04030	0,1 uF 10 %; 50 V; (C4) CAPACITOR, FIXED, FLECTROLYTIC; 1 uF; 35 V; (C5)	1	4	14		

Repair parts List AM-4600

Line No.	NATO Stocknumber	Mfg. Code No.	Description	Qua	Ech No	Fig No	Key No	Remarks
	1	2	3	4	5	6	7	8
			MODULE 24 (continued)					
1	5910-00-144-4383	3522 030 00960	CAPACITOR, FIXED, ELECTROLYTIC; 22 uF; 35 V; (C7)	1	4	14		
2	5950-17-034-0745	4322 020 34410	CHOKE, RADIO FREQUENCY (L1, L2, L3)	3	4	14		
3	5970-17-050-8137	3522 114 02200	INSULATOR, DISK; for TS1, TS3, TS4, TS8, TS9, TS10					
4	5970-17-036-0255	3522 114 02800	INSULATOR, PLATE; for C1, C3	2	4	14	2	
5	5970-17-034-2555	3522 114 02500	INSULATOR, RING; for Capacitor C4	2	4	14	5	
6		2322 151 51002	RESISTOR, FIXED, FILM; 1 kohm, 1 %; (R1, R29)	2	4	14		
7	5905-17-052-9087	2122 350 00047	RESISTOR, VARIABLE; 1 kohm, 10 %; (R2, R6)	2	4	14		
8		2322 151 53162	RESISTOR, FIXED, FILM; 3,16 kohm, 1 %; (R3, R7, R21)	3	4	14		
9		2322 151 51212	RESISTOR, FIXED, FILM; 1,21 kohm, 1 %; (R5)	1	4	14		
10		2322 151 51473	RESISTOR, FIXED, FILM; 14,7 kohm, 1 %; (R8)	1	4	14		
11		2322 151 58252	RESISTOR, FIXED, FILM; 8,25 kohm, 1 %; (R10, R15, R32)	3	4	14		

Repair parts List AM-4600

Line No.	NATO Stocknumber	Mfg. Code No.	Description	Qua	Ech	Fig No	Key No	Remarks
	1	2	3	4	5	6	7	8
1		2322 151 55621	<u>MODULE 24 (continued)</u> RESISTOR, FIXED, FILM; 562 ohm, 1 %; (R11)	1	4	14		
2		2322 151 52782	RESISTOR, FIXED, FILM; 1,78 kohm, 1 %; (R12)	1	4	14		
3		2322 151 53832	RESISTOR, FIXED, FILM; 383 kohm, 1 %; (R13, R19)	2	4	14		
4		2322 151 52612	RESISTOR, FIXED, FILM; 2,61 kohm, 1 %, (R14, R20)	2	4	14		
5	5905-17-052-9088	2122 350 00048	RESISTOR, VARIABLE; 5 kohm, 10 %; 0,75 W; (R16)	1	4	14		
6		2322 151 56812	RESISTOR, FIXED, FILM; 6,81 kohm, 1 %; (R17)	1	4	14		
7		2322 151 54642	RESISTOR, FIXED, FILM; 4,64 kohm, 1 %; (R18, R33)	2	4	14		
8		2322 151 52154	RESISTOR, FIXED, FILM; 215 kohm, 1 %; (R22)	1	4	14		
9		2322 151 51009	RESISTOR, FIXED, FILM; 10 ohm, 1 %; (R23, R24)	2	4	14		
10		2322 151 51004	RESISTOR, FIXED, FILM; 100 kohm, 1 %; (R25)	1	4	14		
11		2322 151 54641	RESISTOR, FIXED, FILM; 464 ohm, 1 %; (R26)	1	4	14		

Repair parts List AM-4600

Line No.	NAVO Stocknumber	Mfg. Code No.	Description	Qua			Fig			Key No	Remarks
				4	5	6	4	5	6		
	1	2	3	4	5	6	7	8			
			MODULE 24 (continued)								
1		2322 151 52151	RESISTOR, FIXED, FILM; 215 ohm, 1 %; (R27, R34)	2	4	14					
2		2322 151 51472	RESISTOR, FIXED, FILM; 1,47 kohm, 1 %; (R28)	1	4	14					
3		2322 151 52153	RESISTOR, FIXED, FILM; 21,5 kohm, 1 %; (R30)	1	4	14					
4		2322 151 52152	RESISTOR, FIXED, FILM; 2,15 kohm, 1 %; (R31)	1	4	14					
5	5961-17-041-0848	9331 177 70113	SEMICONDUCTOR DEVICE, DIODE; type BZX 79/C8V2 (GR1)	1	4	14					
6	5961-17-041-0847	9331 177 30113	SEMICONDUCTOR DEVICE, DIODE; BZX 79/C5V6 (GR2, GR3)	2	4	14					
7	5961-00-938-1135	3522 030 01430	SEMICONDUCTOR DEVICE, DIODE; type BAW 62 (GR4)	1	4	14					
8	5935-17-052-8232	2422 062 10412	TERMINAL, BLOCK; 2 x 4 poles	2	4	14			6		
9	5961-00-925-3777	3522-030-04460	TRANSISTOR; type 2N2907A (TS1, TS3, TS4, TS8, TS9)	5	4	14					
10	5961-00-926-0237	3522 030 00100	TRANSISTOR; type BSX 20/ON 129 (TS5, TS6, TS7)	3	4	14					

Repair parts List AM-4600

Line No.	NATO Stocknumber	Mfg. Code No.	Description	Qua	Ech	Fig No	Key No	Remarks
	1	2	3	4	5	6	7	8
1	5961-17-050-2831	9331 723 60112	MODULE 24 (continued) TRANSISTOR; type BCY 59/9 (TS10)	1	4	14		
2		3522 105 40250	COVER; cr-pltd	1	4	10	5	
3	5305-17-033-8433	2522 001 08045	<u>secured with:</u> SCREW, FL-FIL-HD; br ni-pltd;	2	4			
4	5310-17-033-4820	2522 613 03001	type AM 2 x 6 NEN 1602 WASHER, LOCK; p-bz ni-pltd;	2	4			
5	5315-17-052-4490	3522 114 04300	type B 2,1 NEN 1197 PIN, PILOT; cr ni-s; M2;	1	4	10	6	
6	5315-17-052-4489	3522 114 04500	tot 1 12,5 mm PIN, PILOT; cr ni-s; M2;	1	4	10	2	
7	5340-17-033-7419	3522 114 24400	tot 1 12,5 mm SPACER; ni-pltd	2	4	10	4	

Repair parts List AM-4600

List of Figures AM-4600

- Fig. 1 RF AMPLIFIER AM-4600
- 2 FRONT, RF AMPLIFIER
- 3 FRONT, (inside view)
- 4 FRAME ASSEMBLY AM-4600
- 5 FILTER ASSEMBLY
- 6 PLUG PRINT SHEET ASSEMBLY FOR MODULES 22, 23 and 24
- 7 AMPLIFIER ASSEMBLY MODULE 21
- 8 MODULE 22 (exploded view)
- 9 MODULE 23 (exploded view)
- 10 MODULE 24 (exploded view)
- 11 AMPLIFIER SUB-ASSEMBLY (module 21)
- 12 LOW PAS FILTER, MODULE 22A
- 13 RELAY REFL. METER, MODULE 23B
- 14 CONTROL UNIT, MODULE 24A

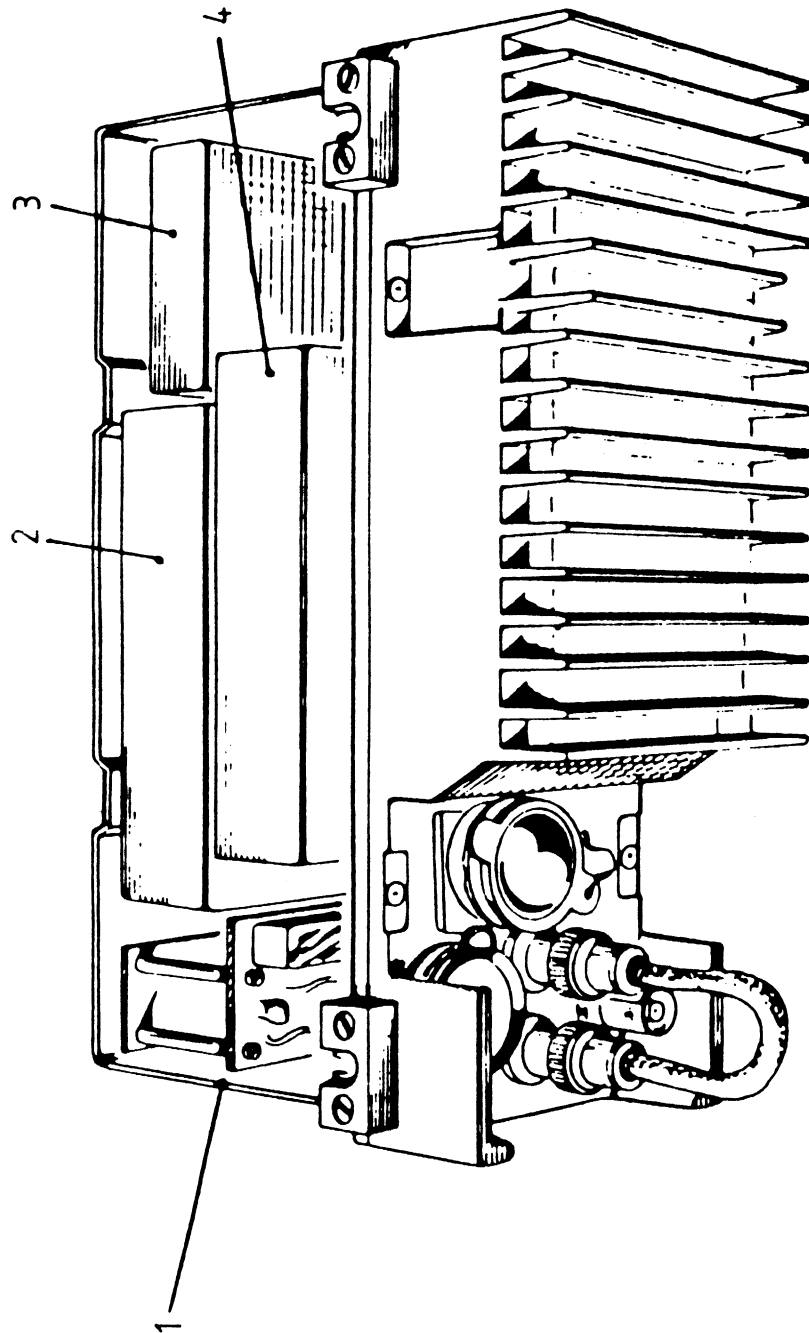


FIG.1 RF AMPLIFIER AM-4600

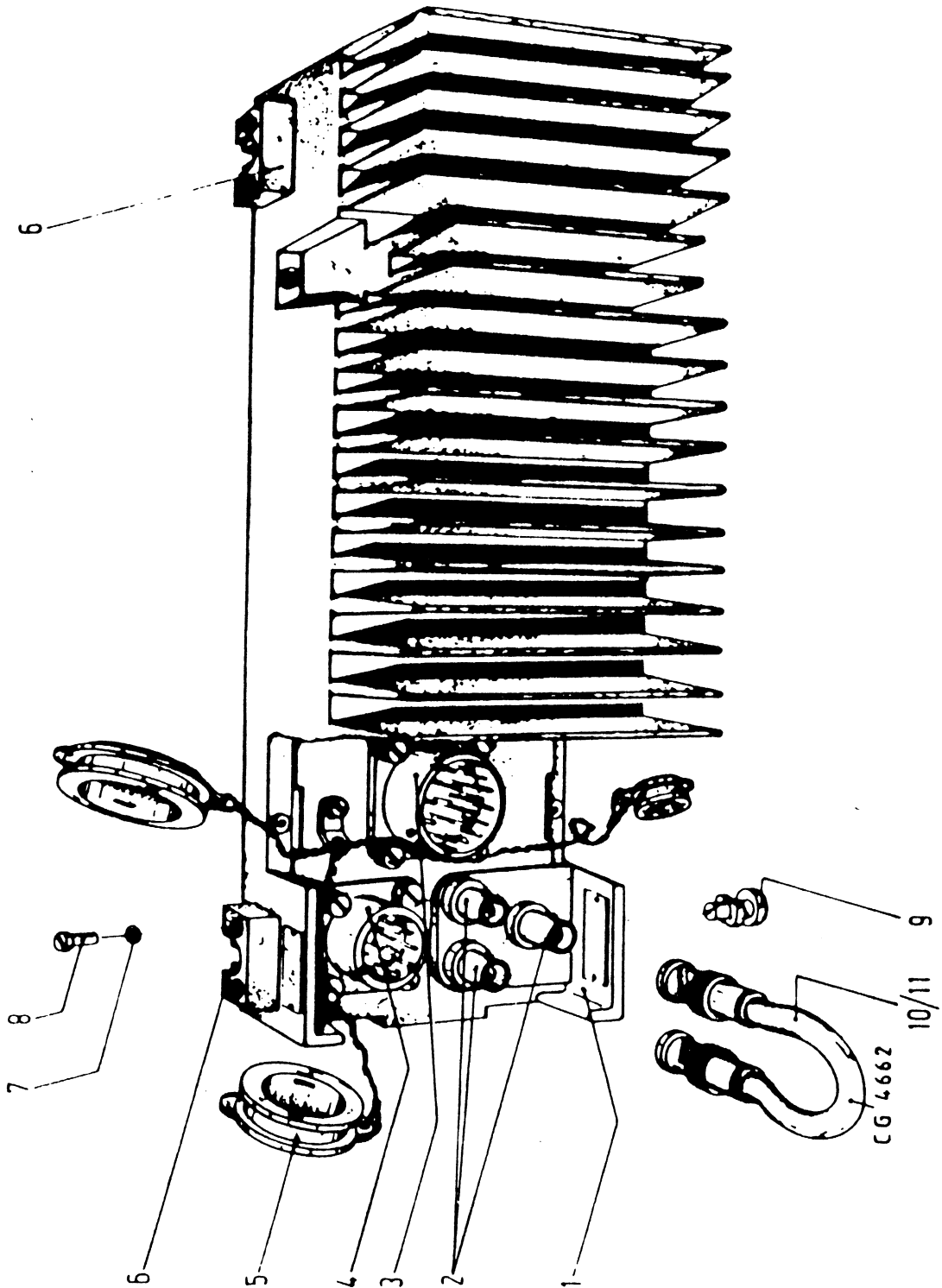


FIG.2 FRONT, RF-AMPLIFIER (AM-4600)

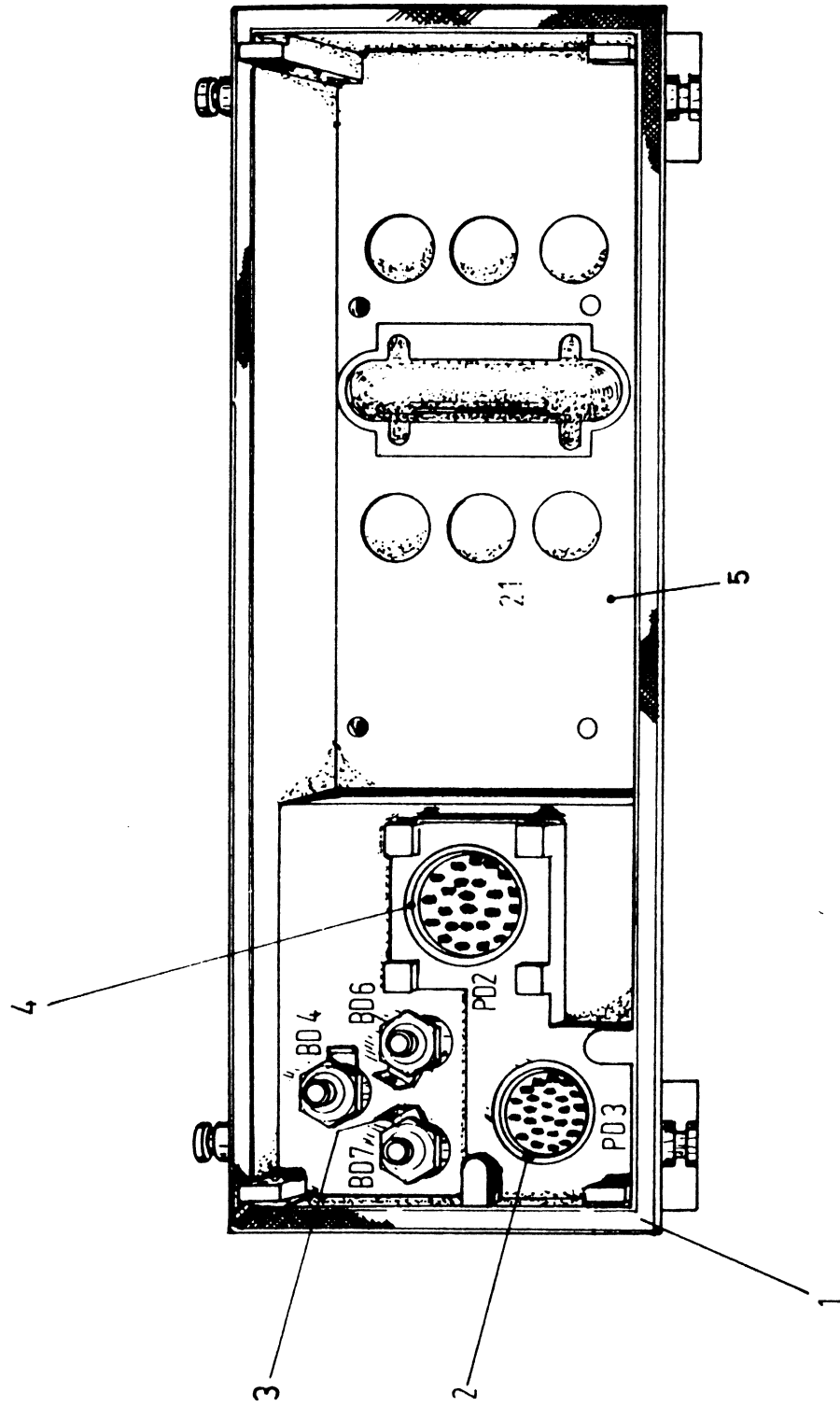


FIG.3 FRONT, AM-4600 (INSIDE VIEW)

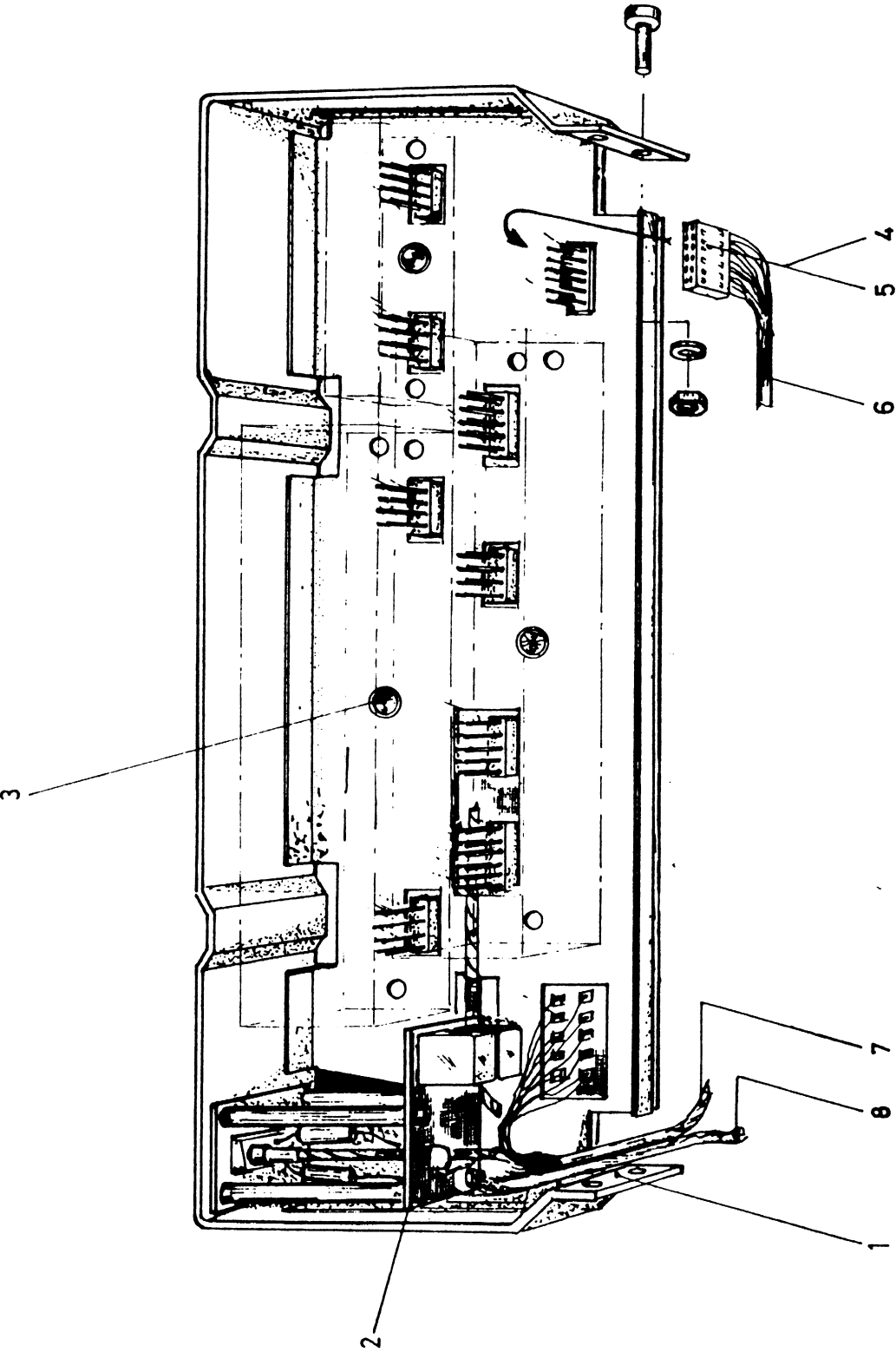


FIG.4 FRAME ASSEMBLY AM-4600

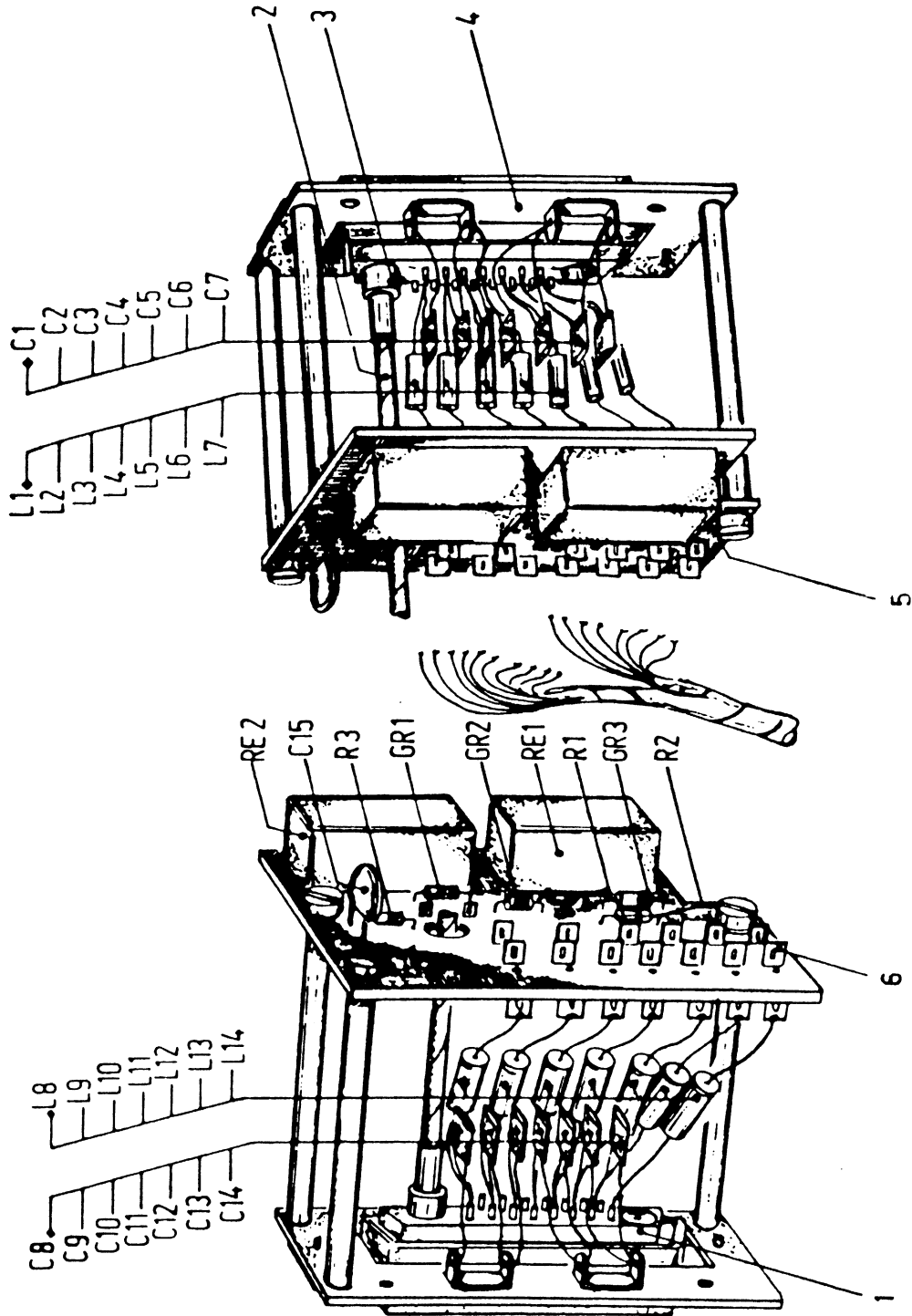


FIG.5 FILTER ASSEMBLY (AM-4600)

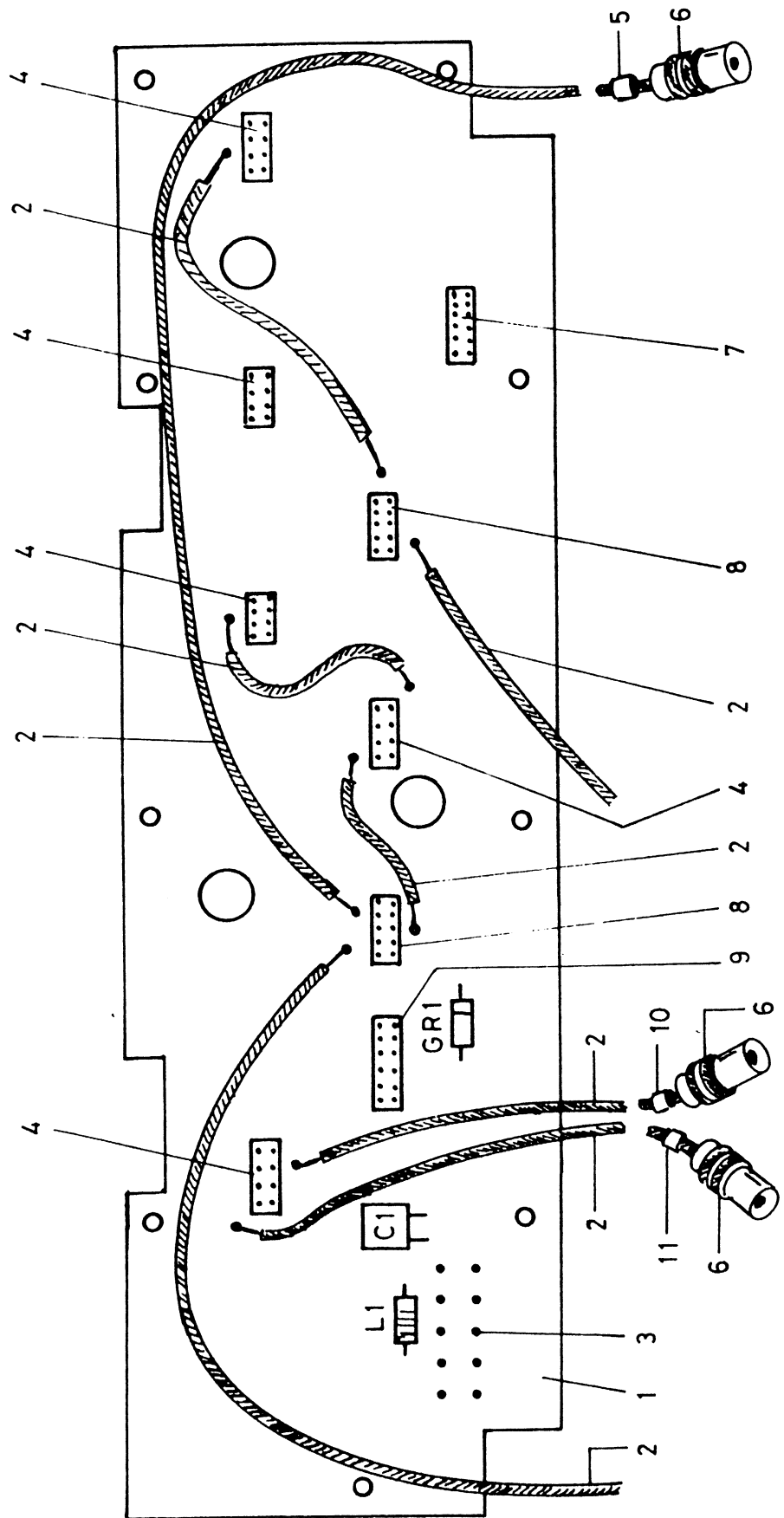


FIG.6 PLUG PRINT SHEET ASSEMBLY FOR MODULES 22,23 AND 24

HGT5-2119e

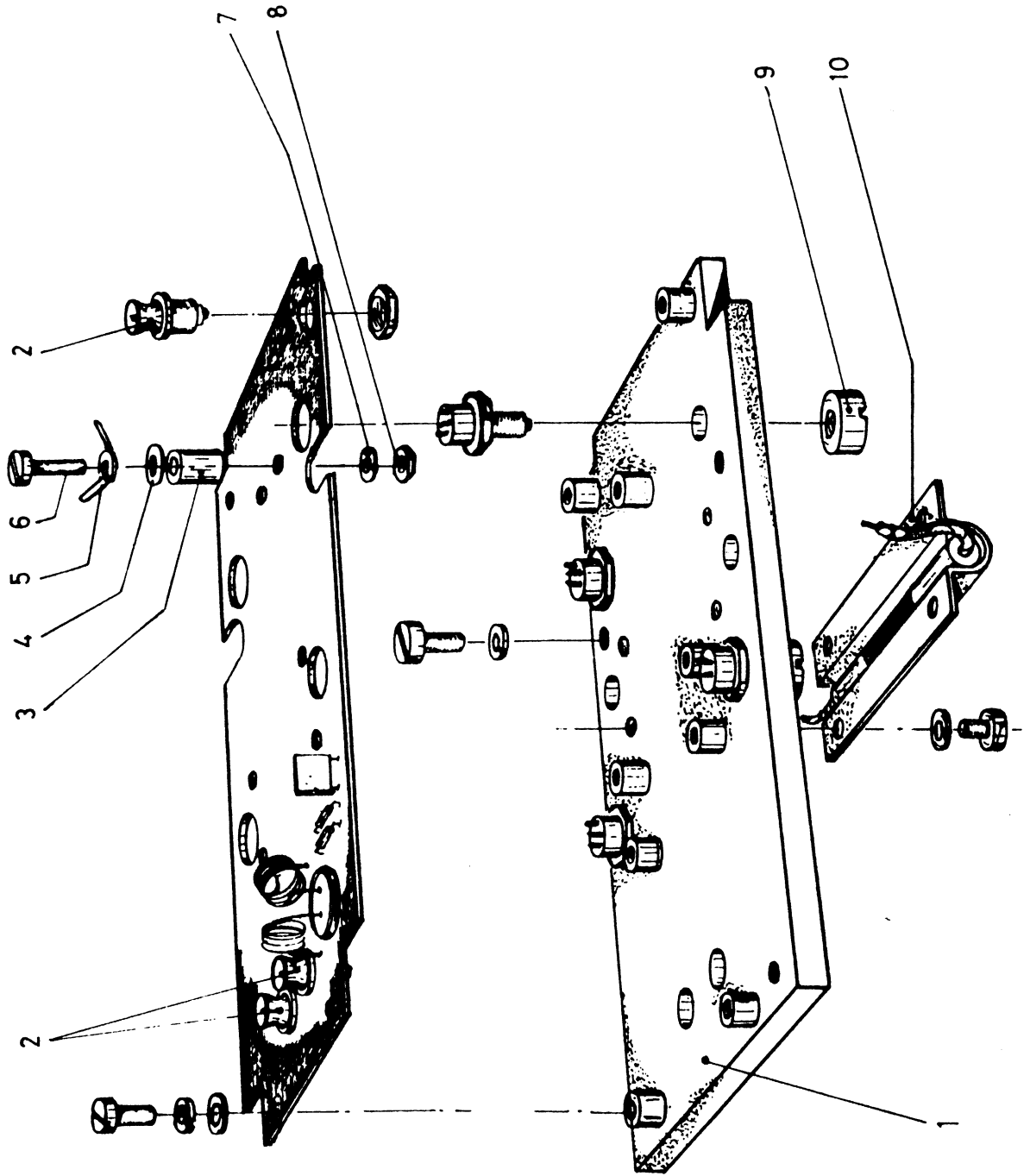


FIG.7 AMPLIFIER ASSEMBLY MODULE 21 (AM-4600)

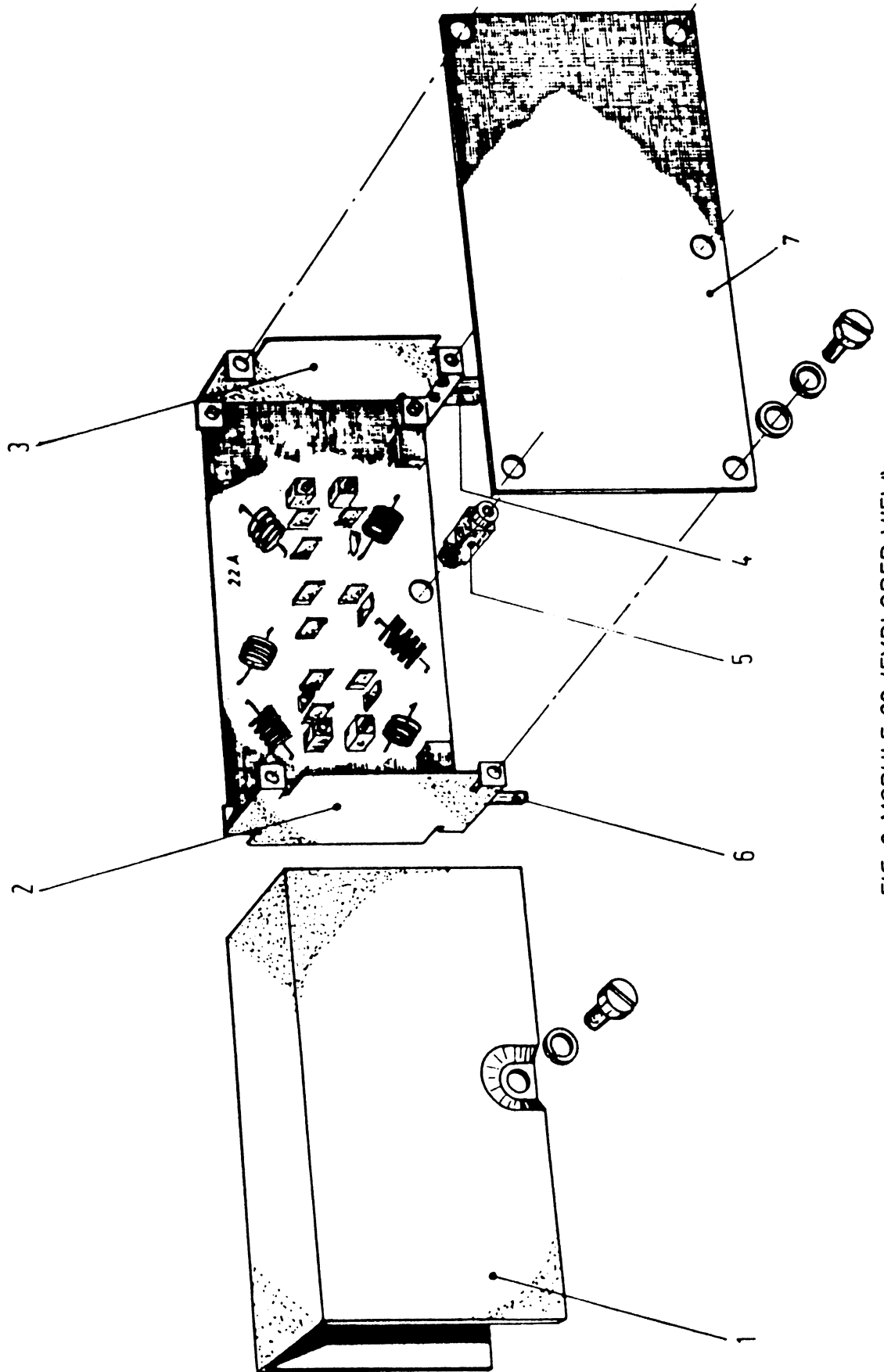


FIG. 8 MODULE 22 (EXPLODED VIEW)

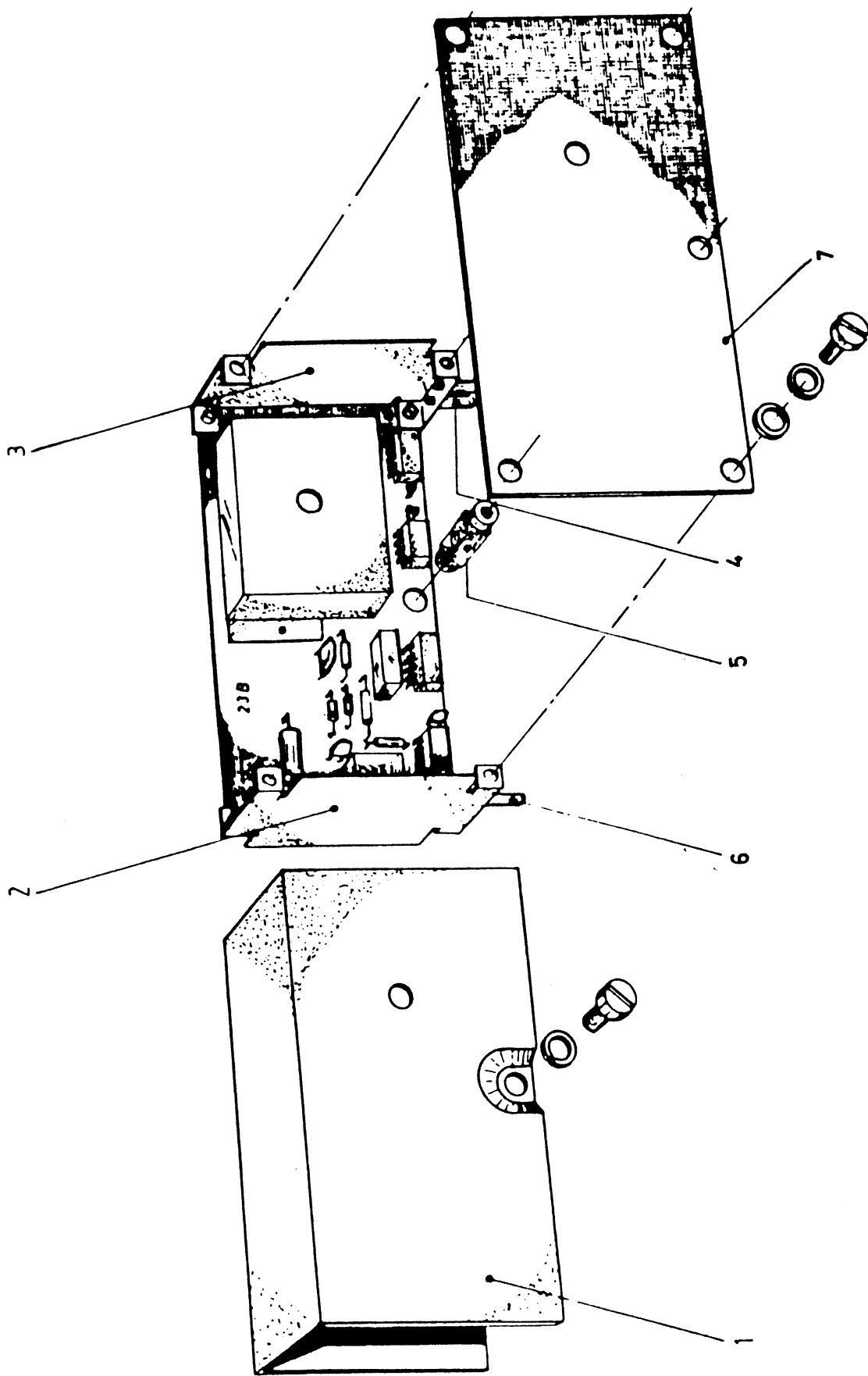


FIG9 MODULE 23 (EXPLODED VIEW)

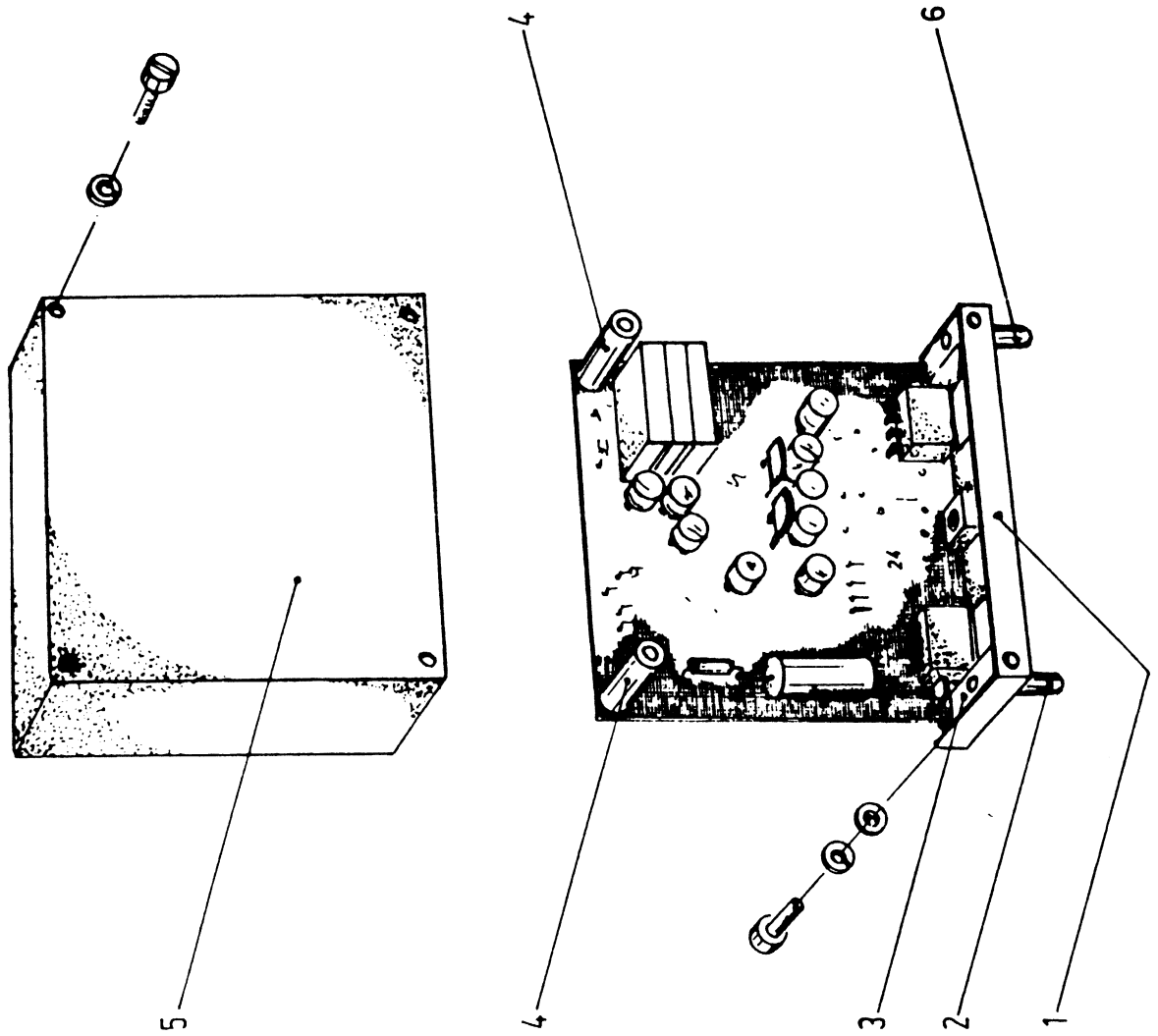


FIG.10 MODULE 24 (EXPLODED VIEW) AM - 4600

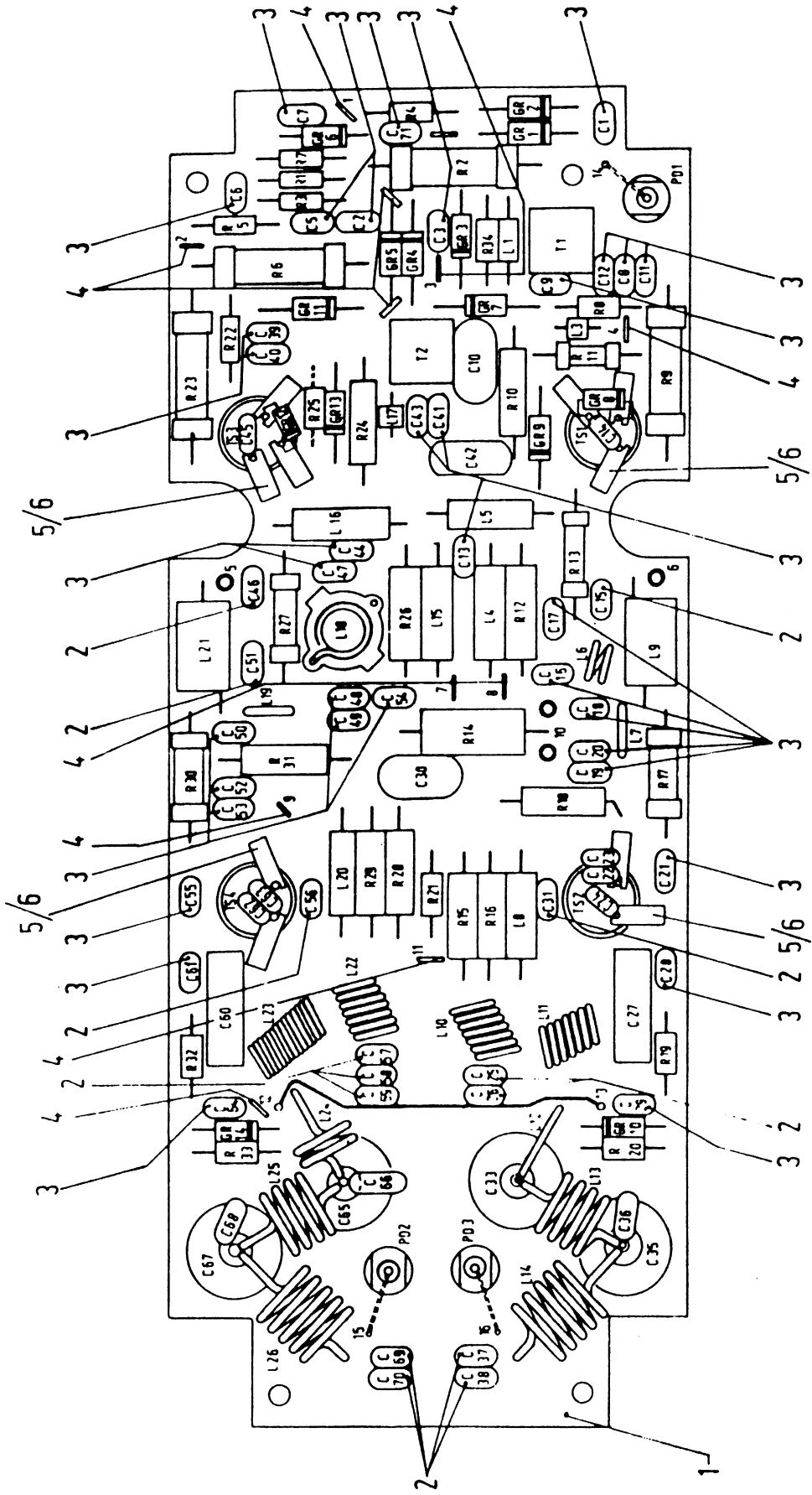


FIG.11 AMPLIFIER SUB-ASSEMBLY (MODULE 21) AM-4600

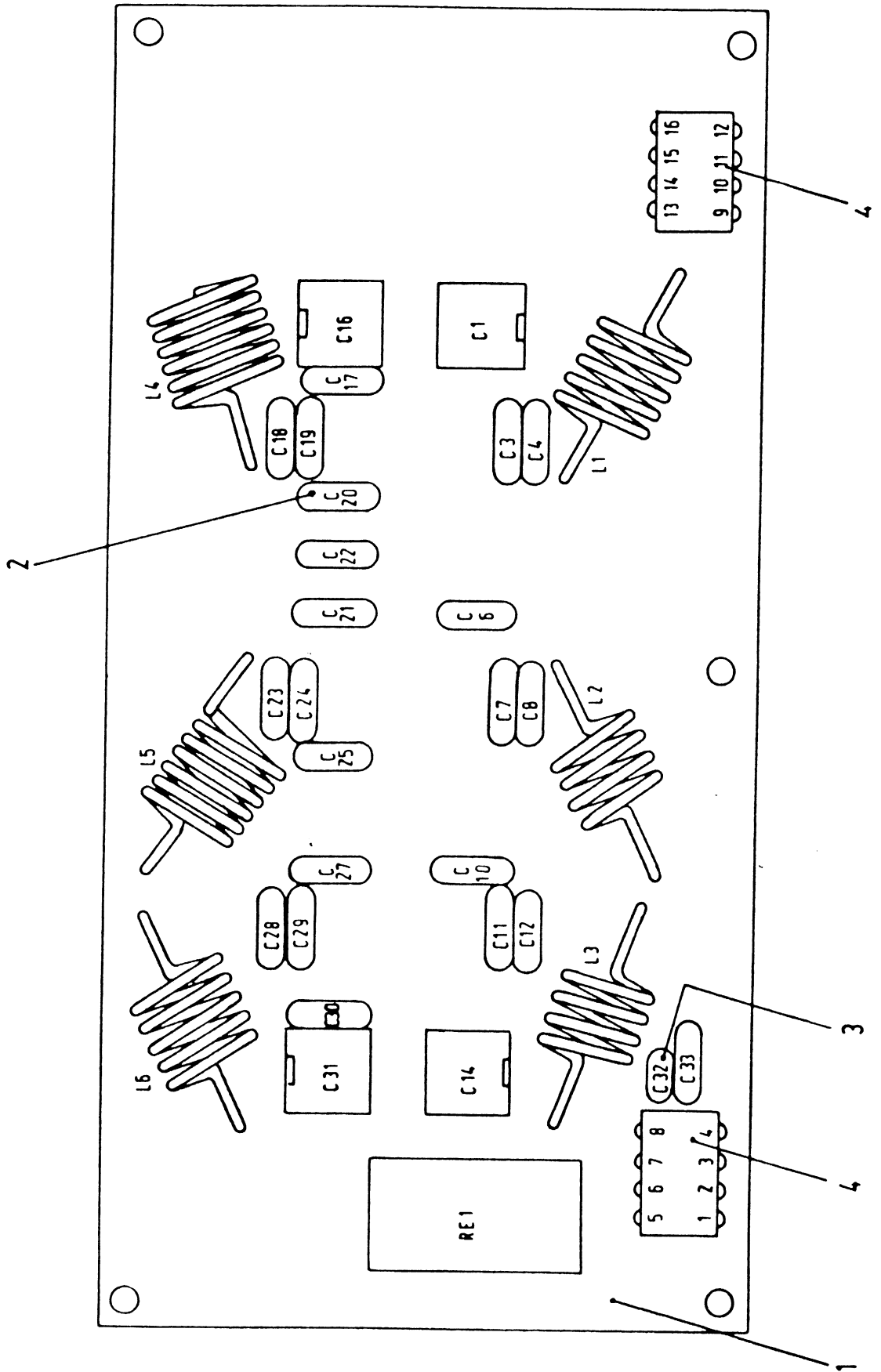


FIG.12 LOW PASS FILTER MODULE 22A (AM-4600)

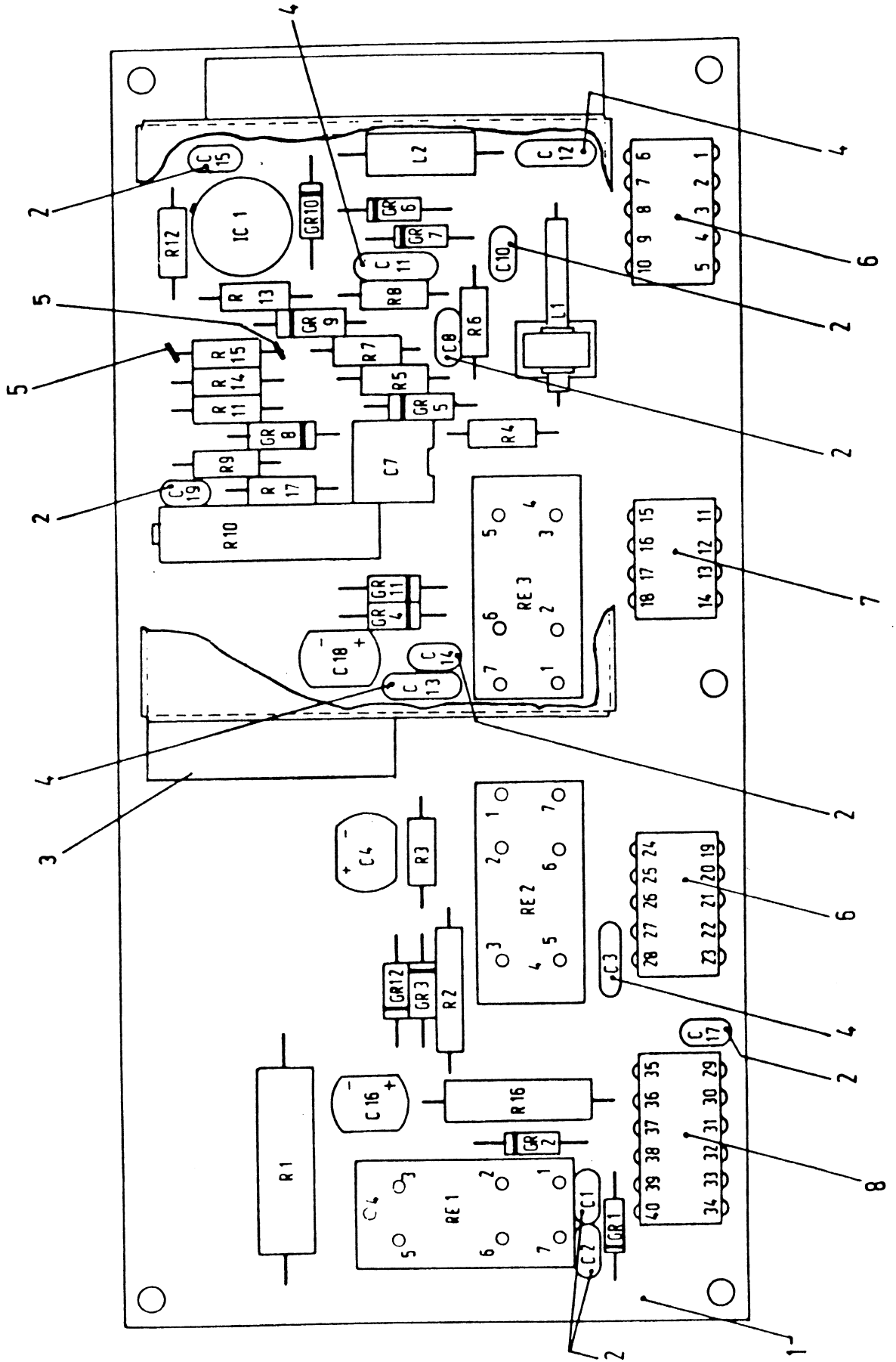


FIG.13 RELAY REFL. METER, MODULE 23B

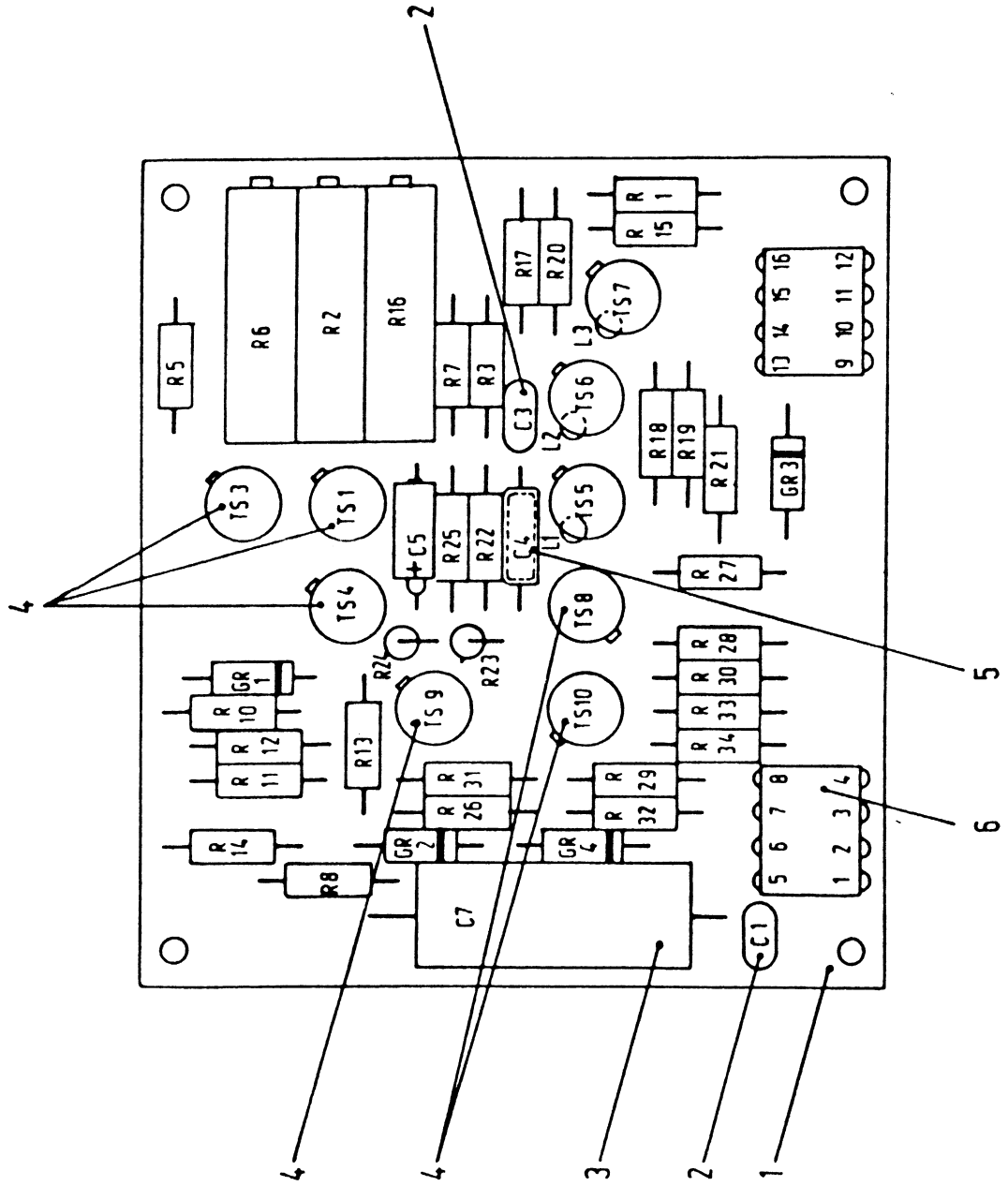


FIG.14 CONTROL-UNIT, MODULE 24 (AM-4600)

RF AMPLIFIER UNIT AM4600**- HF VERSTÄRKEREINHEIT AM4600****Translation****- Übersetzung**

Amplifier	- Verstärker
Amplifier, Radio Frequency	- Hochfrequenzverstärker
Amplifier Assembly	- Verstärker, Kpl.
As Required	- Nach Bedarf
Black	- Schwarz
Block	- Block
Bottom Assembly	- Boden, Montiert
Bracket	- Halter
Brass	- Messing
Bronze	- Bronze
Brown	- Braun
Cable, Radio Frequency	- Hochfrequenzkabel
Cadmium	- Cadmium
Cadmium-Plated	- Cadmiert
Capacitor, Fixed	- Kondensator, Fest
Capacitor, Fixed, Electrolytic	- Elektrolytkondensator
Capacitor, Variable	- Kondensator, Veränderlich
Chassis Assembly	- Chassis, Kpl.
Choke, Radio Frequency	- Hochfrequenzdrossel
Chromium	- Chrom
Circuit Breaker	- Schutzschalter
Coil, Radio Frequency	- Hochfrequenzspule
Connector, Electrical	- Steckverbinder
Connector, Plug, Electrical	- Stecker
Connector, Receptacle, Electrical	- Steckdose
Contact, Electrical	- Kontakt, Elektrisch
Control Unit	- Steuereinheit
Corrosion-Resistant Steel	- Korrosionsbeständiger Stahl
Cover	- Abdeckung
Cover, Electrical Connector	- Abdeckung, Steckverbinder
Description	- Beschreibung
Filter Assembly	- Filterbaugruppe
Flat Fillister Head	- Zylinder-Flachkopf
Flat Head	- Flachkopf
Frame Assembly	- Rahmen, Kpl.
Front	- Frontplatte
Hexagon	- Sechskant
Inductor, Radio Frequency	- Hochfrequenzinduktionsspule
Inside Diameter	- Innendurchmesser
Insulator Disk	- Isolierscheibe
Insulator Plate	- Isolierplatte
Insulator Ring	- Isoliererring
Integrated Circuit	- Integrierte Schaltung
Length	- Länge
Line No. (Line Number)	- Zeile
List Of Figures	- Bildtafelübersicht
Low Pass Filter	- Tiefpaßfilter

RF AMPLIFIER UNIT AM4600**- HF VERSTÄRKEREINHEIT AM4600****Translation****- Übersetzung**

Mfg. Code No. Module	- Teilekennzeichen - Modul
NATO Stocknumber Nickel Nickel-Plated Nut, Hexagon Nut	- Versorgungsnummer - Nickel - Vernickelt - Mutter, Sechskant - Mutter
O-Ring Orange Outside Diameter	- O-Ring - Orange - Außendurchmesser
Phosphor Bronze Pin, Pilot Pin, Shoulder, Headed Plate Plate, Glass Fiber Plate Assembly Plug Board Assembly PW Board (Printed Wiring Board)	- Phosphorbronze - Führungsstift - Bolzen mit Ansatz - Platte - Glasfiberplatte - Grundplatte - Steckerplatte - Gedruckte Schaltung
Quantity	- Menge
Red Relay, Armature Relay And Standing Wave Ratio Unit Relay Reflection Meter Resistor, Fixed Resistor, Variable Rubber	- Rot - Relais, Elektromagnetisch - Stehwellenmeßeinheit - Stehwellenmeßeinheit - Widerstand, Fest - Widerstand, Veränderlich - Gummi
Screw Screw, Captive Seal, Rubber Strip Secured With Semiconductor Device, Diode Sleeve, Marking Spacer Spring-Steel Steel Sub-Assembly	- Schraube - Unverlierbare Schraube - Gummidichtung - Befestigt mit - Halbleiterdiode - Markierungshülse - Abstandsstück - Federstahl - Stahl - Unterbaugruppe
Terminal Block Terminal Lug Thick Total Transistor	- Anschlußblock - Kabelschuh - Dicke - Gesamt - Transistor
Washer, Flat Washer, Lock Wiring Harness	- Unterlegscheibe - Zahnscheibe - Kabelbaum